

Compression Latch Pr20.1

1-071



Advantages

- Compression 3mm.
- Low construction height of 22mm.
- Marking on the casing top indicates the final position.
- Vibration-proof.
- IP65 according to DIN EN 60529.
- Fixed cam H-dimension 8mm, L36mm.
- Tool-less installation with a spring clip.
- A pre-assembled quarter-turn can be installed through the cutout.

Material

- **Housing, insert and cam:** zinc die, black
- **Fixing clip:** stainless steel
- **O-ring and flat external seal:** NBR

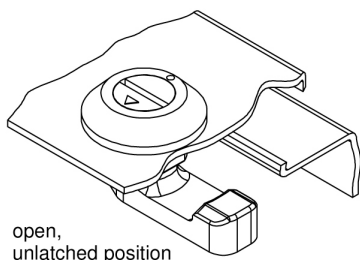
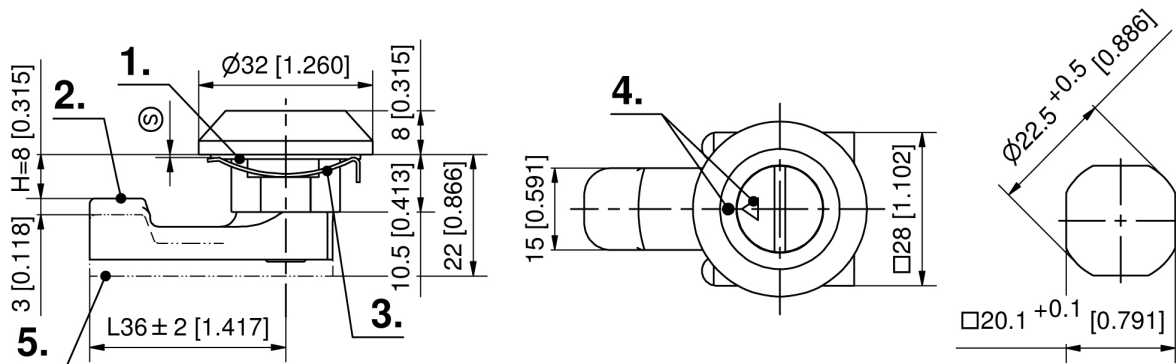
Remarks

(S) Door-thickness max. 2mm

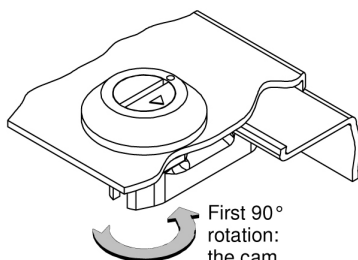
1. flat external seal
2. ramp 1.5mm [0.059]
3. fastening clip
4. markings
5. stroke

Compression Latch, version LH, closing right

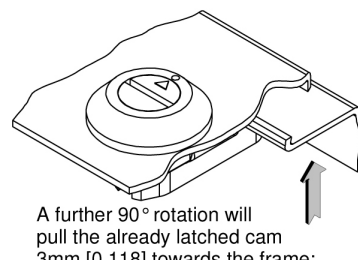
Product number	Insert	Construction depth opened	Installation type	Delivery Unit
291-9102.00-00000	Slotted 2x4mm	22 mm	tool-less	10 pcs.



open, unlatched position



First 90° rotation: the cam latches behind the frame into the locked position. The door cannot be opened.



A further 90° rotation will pull the already latched cam 3mm [0.118] towards the frame: the seal is compressed, the door is latched and free of play.