

Compression Latch Pr20.1 L32 with H-Dimension Adjustment

1-079



Advantages

- Compression 6mm.
- Flat head shape.
- The coloured marking on the casing top indicates the opened/closed position in form of a padlock.
- Inserts with coloured marking.
- Vibration-proof.
- IP65/67 according to DIN EN 60529 and IP69K according to DIN 40050.
- RH and LH version.
- Grounding by single-sided grounding nut.
- The H-dimension 17 - 73mm can be varied via the cranking of the cams.
- The cam can be varied via H-dimension adjustment on the threaded square rod.

Material

- **Housing, insert:** zinc die, chrome plated glossy or black matte e-coated
- **Threaded square rod, nut:** steel, zinc plated
- **Grounding nut:** zinc die, untreated
- **Catch:** PA
- **Knurled wheel:** zinc die

Remarks

(S) Door-thickness max. 22mm

Please configure the quarter-turn with insert and cam.

1. compression 6mm
2. foamed sealing PUR
- d) catch with h-dimension adjustment

Variant where the cam can be variably adjusted with nuts, see website 1-079.01.

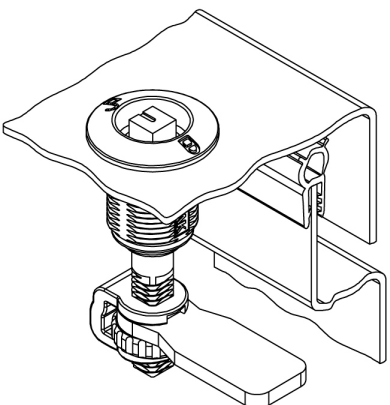
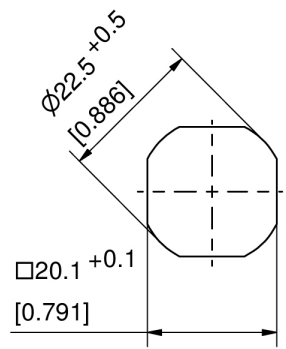
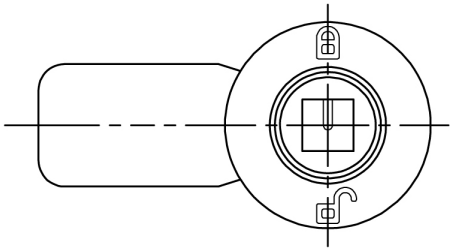
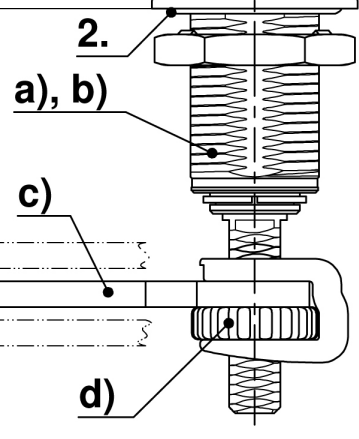
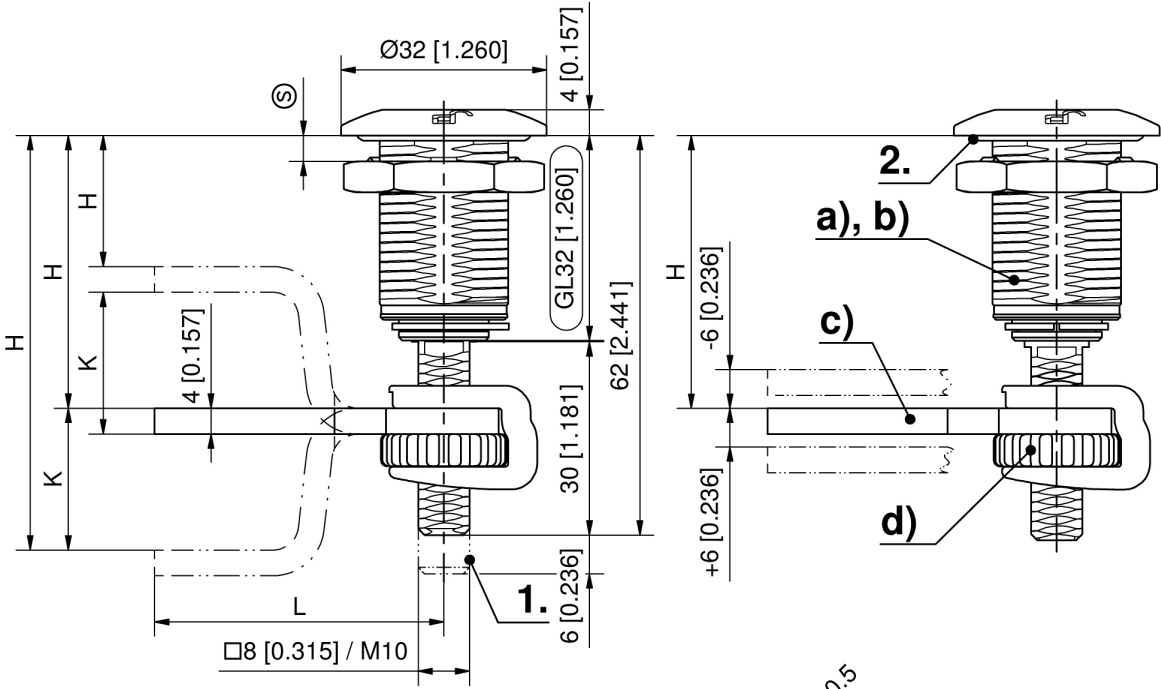
Compression Latch with insert, version RH, closing left

	Product number	Surface	Insert	Installation type	Delivery Unit
a)	248-9802.11-11201	chrome plated	Square 8mm	screw-on	1 pc.
a)	248-9802.13-11201	black	Square 8mm	screw-on	1 pc.

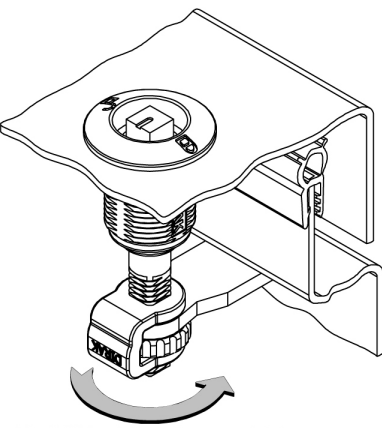
	Product number	Surface	Insert	Installation type	Delivery Unit
a)	248-9803.11-11201	chrome plated	Double bit 3mm pin	screw-on	1 pc.
a)	248-9804.11-11201	chrome plated	Double bit 5mm pin	screw-on	1 pc.
a)	248-9807.11-11201	chrome plated	Triangular 8mm	screw-on	1 pc.
a)	248-9808.11-11201	chrome plated	Conical square 9mm	screw-on	1 pc.
a)	248-9808.13-11201	black	Conical square 9mm	screw-on	1 pc.

Compression Latch with insert, version LH, closing right

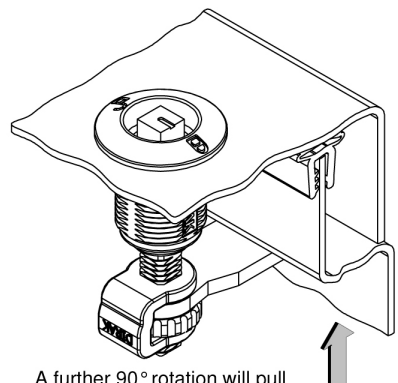
	Product number	Surface	Insert	Installation type	Delivery Unit
b)	248-9802.11-12201	chrome plated	Square 8mm	screw-on	1 pc.
b)	248-9802.13-12201	black	Square 8mm	screw-on	1 pc.
b)	248-9803.11-12201	chrome plated	Double bit 3mm pin	screw-on	1 pc.
b)	248-9804.11-12201	chrome plated	Double bit 5mm pin	screw-on	1 pc.
b)	248-9807.11-12201	chrome plated	Triangular 8mm	screw-on	1 pc.
b)	248-9808.11-12201	chrome plated	Conical square 9mm	screw-on	1 pc.
b)	248-9808.13-12201	black	Conical square 9mm	screw-on	1 pc.



open, unlatched position



First 90° rotation: the cam latches behind the frame into the locked position. The door cannot be opened.



A further 90° rotation will pull the already latched cam towards the frame around 6mm [0.236]: the seal is compressed, the door is latched and free of play.