

Compression Latch Pr20.1 L32

1-079.01



Advantages

- Compression 6mm.
- Flat head shape.
- The coloured marking on the casing top indicates the opened/closed position in form of a padlock.
- Inserts with coloured marking.
- Vibration-proof.
- IP65/67 according to DIN EN 60529 and IP69K according to DIN 40050.
- RH and LH version.
- Grounding by single-sided grounding nut.
- The H-dimension 17 - 73mm can be varied via the cranking of the cams.
- The cam can be varied via the nuts on the threaded square rod.

Material

- **Housing, insert:** zinc die, chrome plated glossy or black matt e-coated
- **Threaded square rod, nut:** steel, zinc plated
- **Grounding nut:** zinc die, untreated

Remarks

(S) Door-thickness max. 22mm

Please configure the quarter-turn with insert and cam.

1. compression 6mm
2. foamed sealing PUR

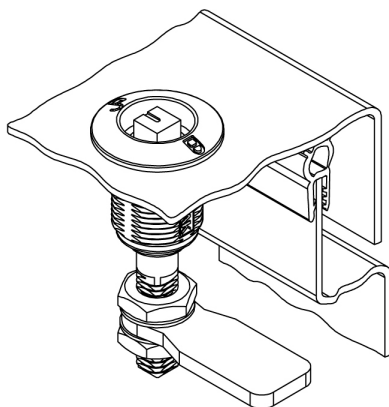
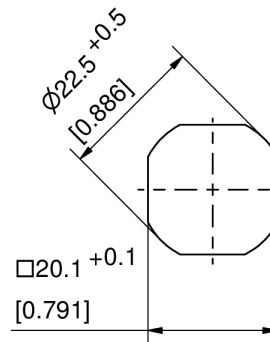
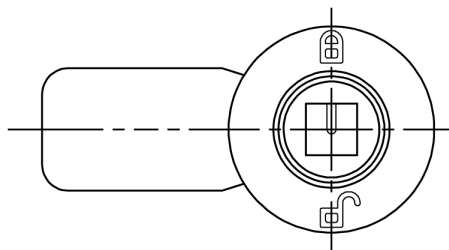
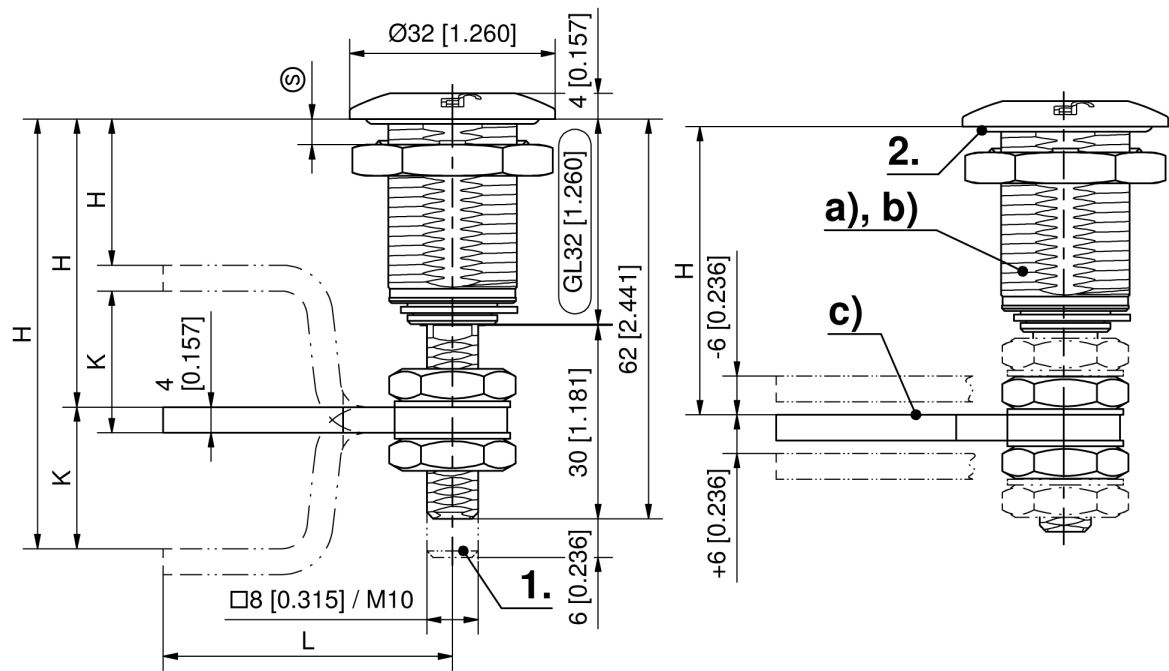
Compression Latch with insert, version RH, closing left

	Product number	Surface	Insert	Grounding type	Installation type	Delivery Unit
a)	248-9802.01-11201	chrome plated	Square 8mm	Grounding nut	screw-on	1 pc.
a)	248-9803.01-11201	chrome plated	Double bit 3mm pin	Grounding nut	screw-on	1 pc.

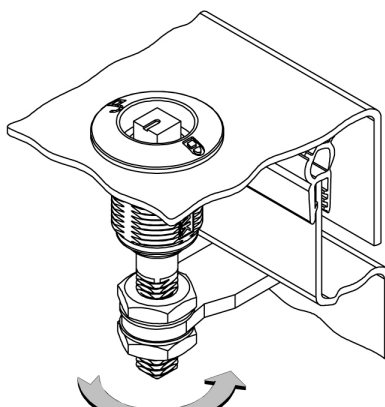
	Product number	Surface	Insert	Grounding type	Installation type	Delivery Unit
a)	248-9804.01-11201	chrome plated	Double bit 5mm pin	Grounding nut	screw-on	1 pc.
a)	248-9807.01-11201	chrome plated	Triangular 8mm	Grounding nut	screw-on	1 pc.
a)	248-9808.01-11201	chrome plated	Conical square 9mm	Grounding nut	screw-on	1 pc.
a)	248-9862.03-11201	black	Square 8mm		screw-on	1 pc.
a)	248-9868.03-11201	black	Conical square 9mm		screw-on	1 pc.

Compression Latch with insert, version LH, closing right

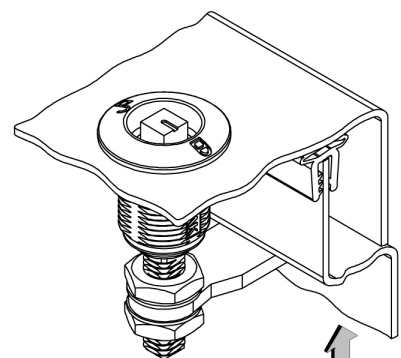
	Product number	Surface	Insert	Grounding type	Installation type	Delivery Unit
b)	248-9802.01-12201	chrome plated	Square 8mm	Grounding nut	screw-on	1 pc.
b)	248-9803.01-12201	chrome plated	Double bit 3mm pin	Grounding nut	screw-on	1 pc.
b)	248-9804.01-12201	chrome plated	Double bit 5mm pin	Grounding nut	screw-on	1 pc.
b)	248-9807.01-12201	chrome plated	Triangular 8mm	Grounding nut	screw-on	1 pc.
b)	248-9808.01-12201	chrome plated	Conical square 9mm	Grounding nut	screw-on	1 pc.
b)	248-9862.03-12201	black	Square 8mm		screw-on	1 pc.
b)	248-9868.03-12201	black	Conical square 9mm		screw-on	1 pc.



open, unlatched position



First 90° rotation: the cam latches behind the frame into the locked position. The door cannot be opened.



A further 90° rotation will pull the already latched cam towards the frame around 6mm [0.236]: the seal is compressed, the door is latched and free of play.