

Compression Latch Pr20.1

1-081



Advantages

- Compression 6.5mm.
- By turning the insert 90° the cam is at first put into closed position, by turning a further 90°, the cam will be pulled towards the frame.
- Matching dots mark the final position (see lower drawing).
- Vibration-proof according to DIN EN 61373.
- IP65 according to DIN EN 60529.
- Grounding by grounding nut.
- RH and LH version.



Material

- **Housing:** zinc die, chrome plated or black
- **Insert:** brass, chrome plated, zinc die, black or chrome plated
- **Drip handle:** zinc die, black
- **Spring:** stainless steel
- **Cam:** zinc die, chrome plated
- **Adjusting screw and nut:** steel, zinc plated

Remarks

(S) Door-thickness max. 22mm

Please configure the quarter-turn with insert and cam as well as corresponding assembly.
The H-dimension can be adjusted by the adjusting screw.

1. compression 6.5mm
2. flat external seal
3. adjusting screw

Compression Latch, version RH, closing left

	Product number	Surface	Grounding type	Installation type	Delivery Unit
a)	100-9001.00-00000	chrome plated	-	screw-on	1 pc.
a)	100-9002.00-00000	chrome plated	Grounding nut	screw-on	1 pc.
a)	100-9014.00-00000	black	Grounding nut	screw-on	1 pc.

Compression Latch, version LH, closing right

	Product number	Surface	Grounding type	Installation type	Delivery Unit
a)	100-9013.00-00000	chrome plated	Grounding nut	screw-on	1 pc.
a)	100-9015.00-00000	black	Grounding nut	screw-on	1 pc.

Inserts

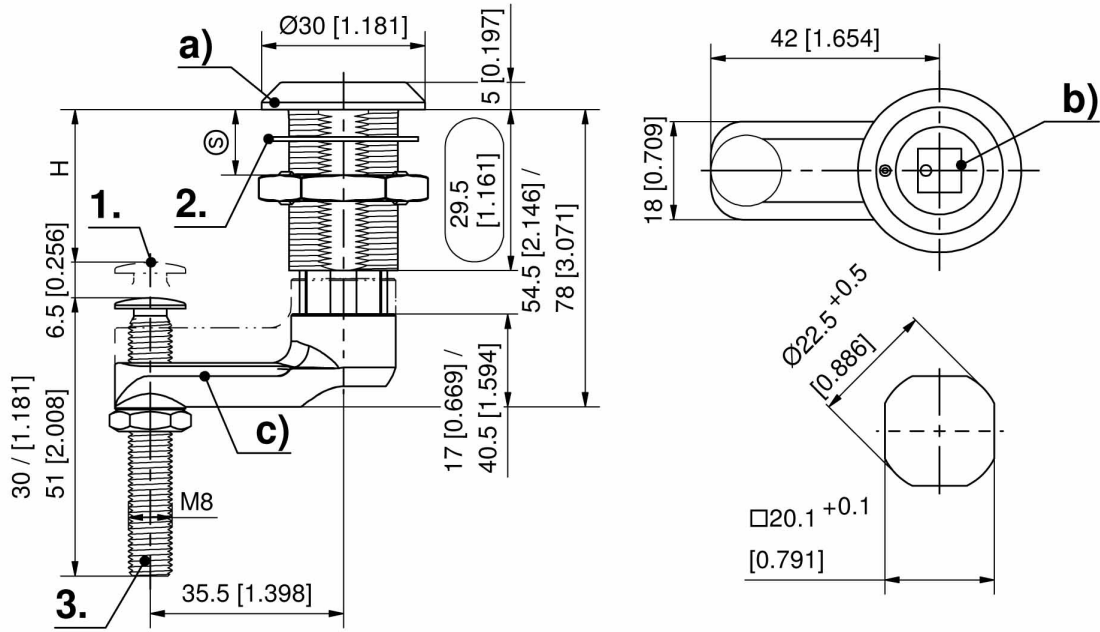
	Product number	Surface	Insert	Version	Delivery Unit
b)	100-9104.00-00000	chrome plated	Square 7mm	-	1 pc.
b)	100-9105.00-00000	chrome plated	Square 8mm	-	1 pc.
b)	100-9106.00-00000	chrome plated	Triangular 7mm	-	1 pc.
b)	100-9107.00-00000	chrome plated	Triangular 8mm	-	1 pc.
b)	100-9103.00-00000	chrome plated	Double bit 3mm pin	-	1 pc.
b)	100-9102.00-00000	chrome plated	Double bit 5mm pin	-	1 pc.
b)	100-9114.00-00000	chrome plated	Socket hex. 8mm (5/16")	-	1 pc.
b)	100-9123.00-00000	black	Socket hex. 8mm (5/16")	-	1 pc.
b)	100-9101.00-00000	chrome plated	Socket hex. 10mm	-	1 pc.
b)	100-9132.00-00000	chrome plated	Hex. 7/16"	-	1 pc.
b)	100-9109.00-00000	chrome plated	Slotted 2x4mm	-	1 pc.
b)	100-9110.00-00000	black	Drop handle	cam in line with the handle	1 pc.
b)	100-9111.00-00000	black	Drop handle	cam 90° to the handle	1 pc.

Cams, version RH

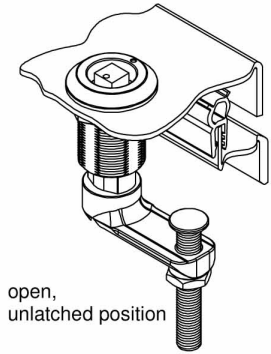
	Product number	variable H-dimension	Hight of cam	Version	Delivery Unit
c)	200-9611.00-00000	0 mm - 37 mm	17 mm	Adjustable screw 51mm	1 pc.
c)	200-9610.00-00000	21 mm - 34 mm	17 mm	Adjustable screw 30mm	1 pc.
c)	200-9613.00-00000	24 mm - 60 mm	40,5 mm	Adjustable screw 51mm	1 pc.
c)	200-9612.00-00000	45 mm - 60 mm	40,5 mm	Adjustable screw 30mm	1 pc.

Cams, version LH

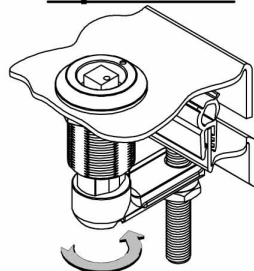
	Product number	variable H-dimension	Hight of cam	Version	Delivery Unit
c)	200-9618.00-00000	21 mm - 34 mm	17 mm	Adjustable screw 30mm	1 pc.
c)	200-9614.00-00000	0 mm - 37 mm	17 mm	Adjustable screw 51mm	1 pc.



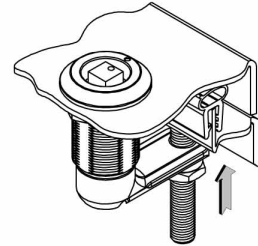
Operation



open,
unlatched position



First 90° rotation: the cam latches behind the frame into the locked position. The door cannot be opened.



A further 90° rotation will pull the already latched cam towards the frame around 6.5mm [0.256]: the seal is compressed, the door is latched and free of play.