

Compression Latch Pr20.1

1-081.01



Advantages

- 6.5mm compression.
- By turning the insert 90° the cam is at first put into the latched position, by turning a further 90° the cam will be pulled towards the frame.
- Matching dots mark the final position.
- The H-dimension 21 - 37mm can be easily adjusted by the adjusting screw. Securing is done via the M8 nut.
- Vibration-proof according to DIN EN 61373.
- IP65 according to DIN EN 60529.
- RH and LH version.



Material

- **Housing, cam:** zinc die, chrome plated
- **Insert:** brass, chrome plated
- **Spring:** stainless steel
- **Adjusting screw, nut:** steel, zinc plated

Remarks

(S) Door-thickness max. 22mm

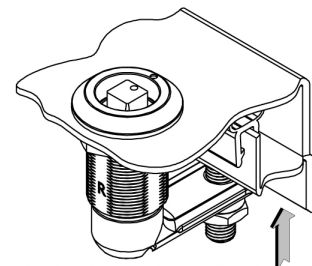
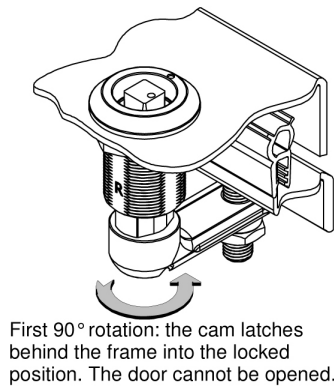
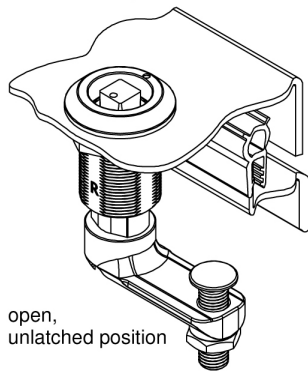
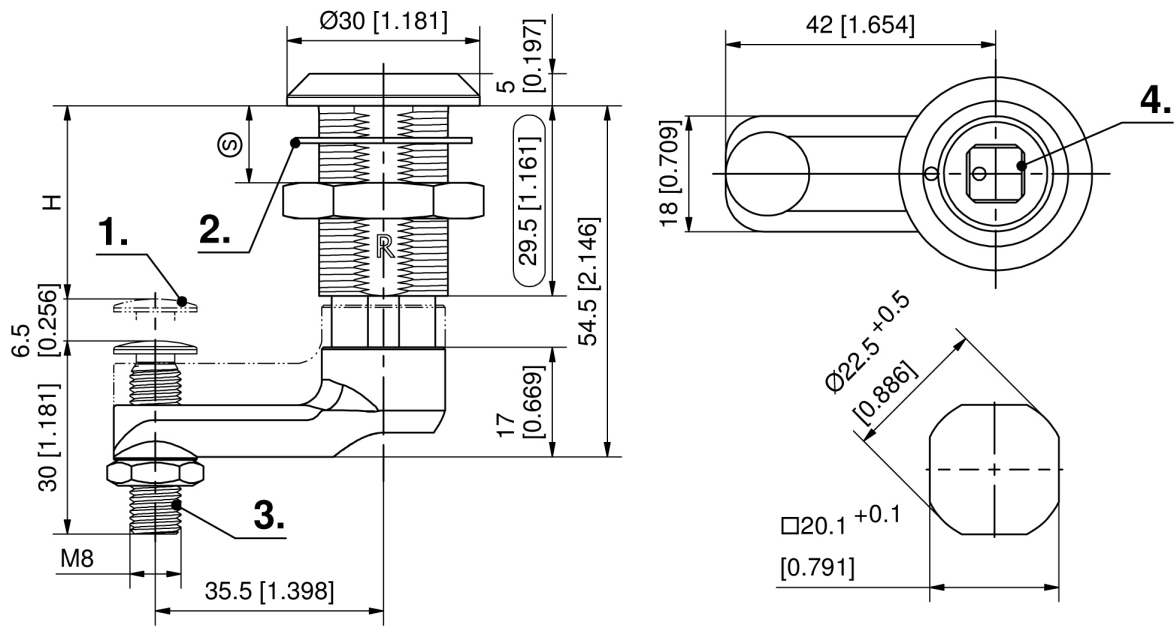
1. compression 6.5mm
2. flat external seal
3. adjusting screw
4. conical square insert

Compression Latch with insert, version RH, closing left

Product number	Insert	Installation type	Delivery Unit
100-8002.00-00000	Conical square 9mm	screw-on	1 pc.

Compression Latch with insert, version LH, closing right

Product number	Insert	Installation type	Delivery Unit
100-8026.00-00000	Conical square 9mm	screw-on	1 pc.



A further 90° rotation will pull the already latched cam towards the frame around 6.5mm [0.256]: the seal is compressed, the door is latched and free of play.