

DST Bowed Handle with Quarter-Turn

6-1110DST



Advantages

- Bowed handle with DIRAK-SNAP-Technology and quarter-turn, with cylinder or for insert.
- Rectangular cutout guarantees a perfect alignment.
- The installation is effected by a simple push into appropriate cutouts.
- The housing for cylinder or insert can be turned by 90° and the handle can be used for RH / LH, horizontal and vertical applications.
- Can be pre-assembled upon request.
- Tool-less, vibration-proof installation also in closed profiles.

Material

- **Handle:** zinc die, matte chrome plated
- **Other surfaces on request.**
- **Housing:** zinc die
- **Snap wedges:** sintered steel
- **Grounding clip:** stainless steel

Remarks

Attention: H-dimension of the cam $\geq 14\text{mm}$

Please configure the quarter-turn with a cam.
In case of applying a cylinder the 3-point cam should **not** be used.

e) grounding clip

Please contact DIRAK for the part number of a completely pre-assembled handle.

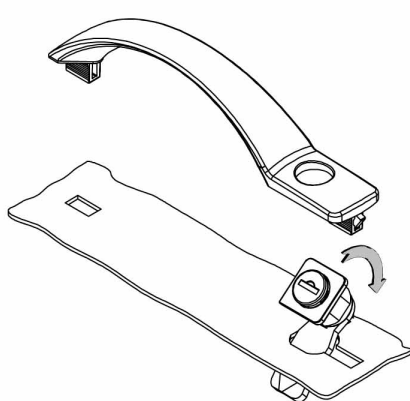
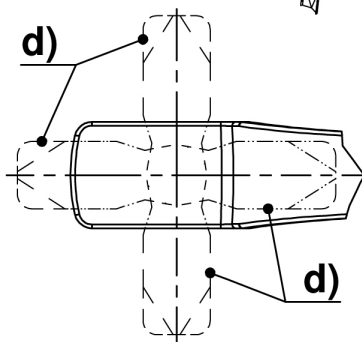
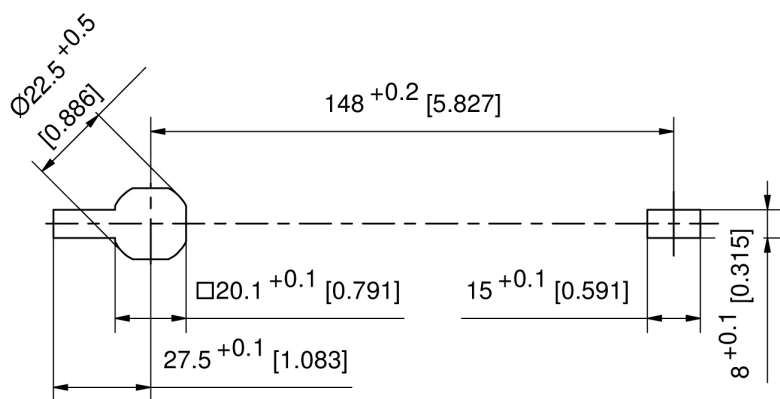
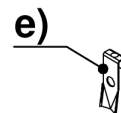
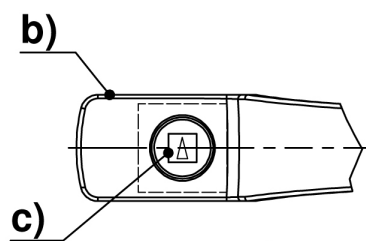
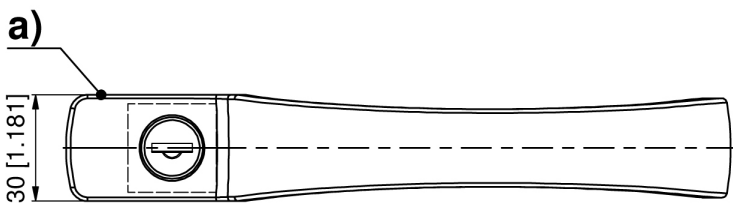
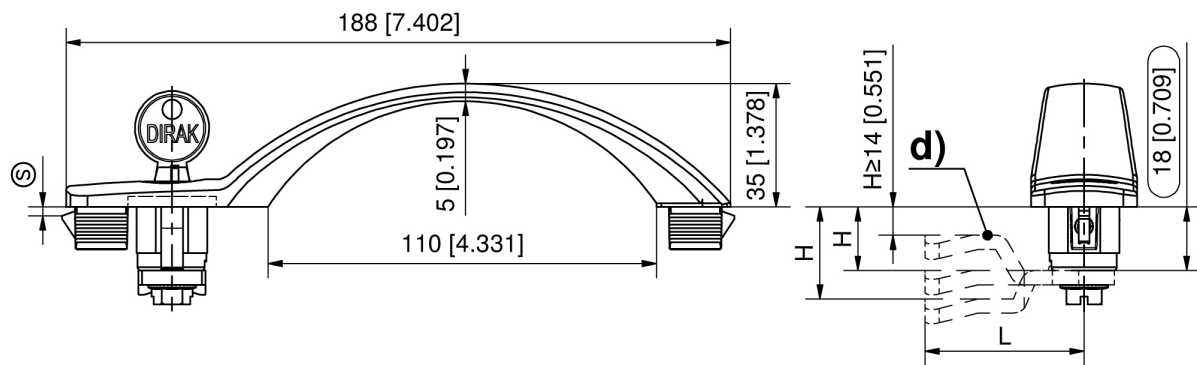
Bowed handle with cylinder

	Product number	Clamping range (S)	Latching type	Grounding type	Installation type	Delivery Unit
a)	413-9301.00-00012	0.8 mm - 1.5 mm	keyed alike DIRAK 1333	-	tool-less	1 pc.
a)	413-9301.00-00016	1.3 mm - 2 mm	keyed alike DIRAK 1333	-	tool-less	1 pc.
a)	413-9301.00-00020	1.8 mm - 2.5 mm	keyed alike DIRAK 1333	-	tool-less	1 pc.
a)	413-9302.00-00012	0.8 mm - 1.5 mm	keyed different	-	tool-less	1 pc.
a)	413-9302.00-00016	1.3 mm - 2 mm	keyed different	-	tool-less	1 pc.
a)	413-9302.00-00020	1.8 mm - 2.5 mm	keyed different	-	tool-less	1 pc.

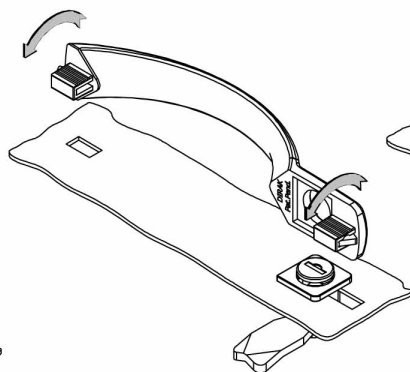
	Product number	Clamping range (S)	Latching type	Grounding type	Installation type	Delivery Unit
a)	413-9305.00-00012	0.8 mm - 1.5 mm	keyed alike DIRAK 1333	Grounding clip	tool-less	1 pc.
a)	413-9305.00-00016	1.3 mm - 2 mm	keyed alike DIRAK 1333	Grounding clip	tool-less	1 pc.
a)	413-9305.00-00020	1.8 mm - 2.5 mm	keyed alike DIRAK 1333	Grounding clip	tool-less	1 pc.
a)	413-9306.00-00012	0.8 mm - 1.5 mm	keyed different	Grounding clip	tool-less	1 pc.
a)	413-9306.00-00016	1.3 mm - 2 mm	keyed different	Grounding clip	tool-less	1 pc.
a)	413-9306.00-00020	1.8 mm - 2.5 mm	keyed different	Grounding clip	tool-less	1 pc.

Bowed handle for Insert

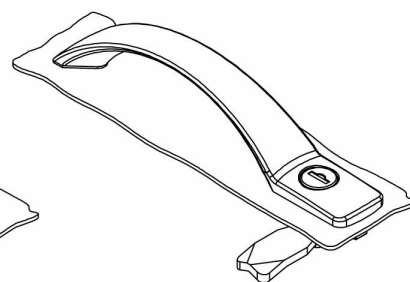
	Product number	Clamping range (S)	Grounding type	Installation type	Delivery Unit
b)	413-9303.00-00012	0.8 mm - 1.5 mm	-	tool-less	1 pc.
b)	413-9303.00-00016	1.3 mm - 2 mm	-	tool-less	1 pc.
b)	413-9303.00-00020	1.8 mm - 2.5 mm	-	tool-less	1 pc.
b)	413-9307.00-00012	0.8 mm - 1.5 mm	Grounding clip	tool-less	1 pc.
b)	413-9307.00-00016	1.3 mm - 2 mm	Grounding clip	tool-less	1 pc.
b)	413-9307.00-00020	1.8 mm - 2.5 mm	Grounding clip	tool-less	1 pc.



1. Installation of Quarter-Turn



2. ENCASING the loose Quarter-Turn



3. Fitted and fixed