

# Compression Latch Pr20.1 L22/32 with H-Dimension Adjustment Stainless Steel

7-079



## Advantages

- Compression 6mm (1.).
- Flat head shape.
- The coloured marking on the casing top indicates the opened/closed position in form of a padlock.
- Insert with coloured marking.
- Vibration-proof.
- Fire protection tested with E60 classification according to DIN EN 45545-3.
- IP65/67 according to DIN EN 60529 and 32mm IP69K according to DIN 40050.
- RH and LH version.
- Grounding by single-sided grounding nut (2.).
- The H-dimension can be varied via the cranking of the cams.
- The cam can be varied via H-dimension adjustment on the threaded square rod.

## Material

- **Housing, knurled wheel, insert, threaded square rod and grounding nut:** AISI 316
- **Catch:** AISI 301

## Remarks

(S) Door-thickness max. 12mm for GL22

(S) Door-thickness max. 22mm for GL32

Please configure the quarter-turn with a cam.

Negatively bent cams can not be installed pre-assembled.

1. compression 6mm
2. single-sided grounding nut
3. flat external seal
4. GL 32mm with foamed sealing PUR
5. H-dimension adjustment

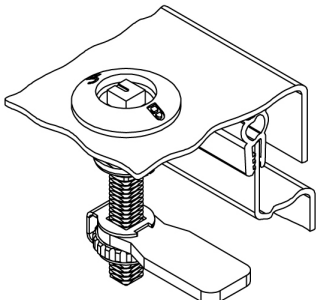
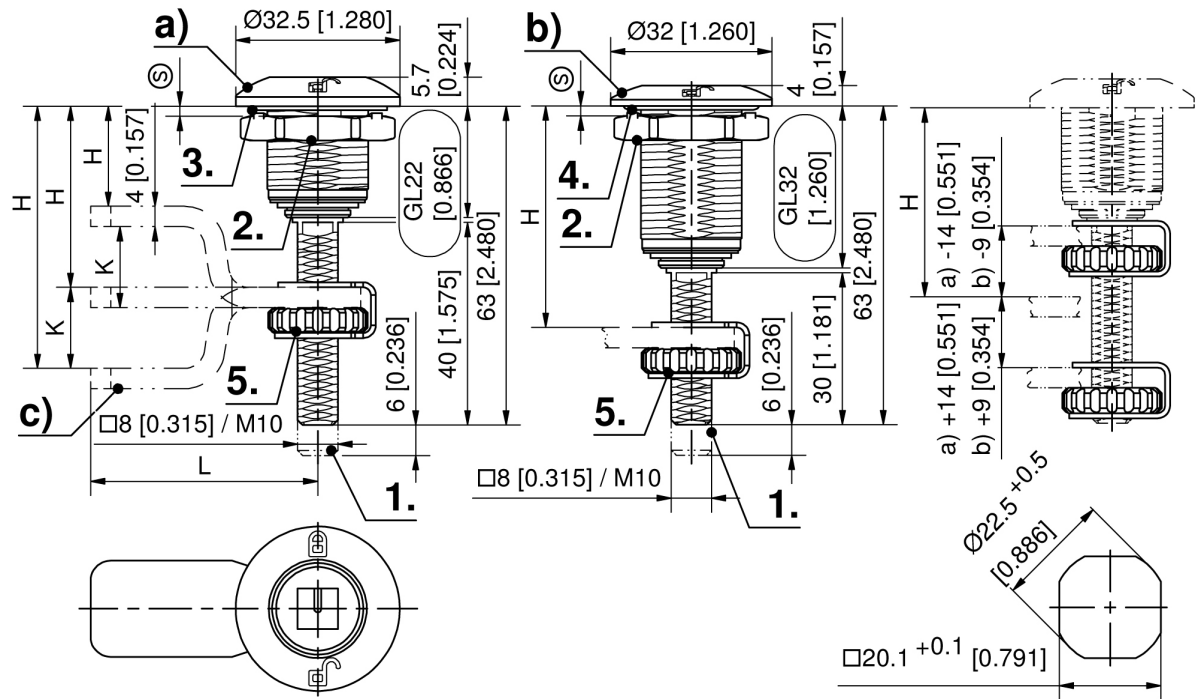
Variant where the cam can be variably adjusted with nuts, see website 7-079.01.

## Compression Latch with insert, version RH, closing left

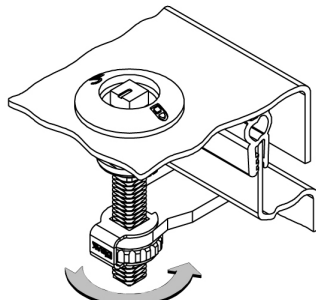
	Product number	Insert	Housing length	Door-thickness (S)	Installation type	Delivery Unit
a)	348-9102.00-00000	Square 8mm	22 mm	0 mm - 12 mm	screw-on	1 pc.
a)	348-9107.00-00000	Triangular 8mm	22 mm	0 mm - 12 mm	screw-on	1 pc.
a)	348-9103.00-00000	Double bit 3mm pin	22 mm	0 mm - 12 mm	screw-on	1 pc.
a)	348-9108.00-00000	Conical square 9mm	22 mm	0 mm - 12 mm	screw-on	1 pc.
b)	348-9300.00-00000	Square 6mm	32 mm	0 mm - 22 mm	screw-on	1 pc.
b)	348-9301.00-00000	Square 7mm	32 mm	0 mm - 22 mm	screw-on	1 pc.
b)	348-9302.00-00000	Square 8mm	32 mm	0 mm - 22 mm	screw-on	1 pc.
b)	348-9303.00-00000	Double bit 3mm pin	32 mm	0 mm - 22 mm	screw-on	1 pc.
b)	348-9304.00-00000	Double bit 5mm pin	32 mm	0 mm - 22 mm	screw-on	1 pc.
b)	348-9305.00-00000	Triangular 6.5mm	32 mm	0 mm - 22 mm	screw-on	1 pc.
b)	348-9306.00-00000	Triangular 7mm	32 mm	0 mm - 22 mm	screw-on	1 pc.
b)	348-9307.00-00000	Triangular 8mm	32 mm	0 mm - 22 mm	screw-on	1 pc.
b)	348-9308.00-00000	Conical square 9mm	32 mm	0 mm - 22 mm	screw-on	1 pc.
b)	348-9309.00-00000	Hex. SW 11	32 mm	0 mm - 22 mm	screw-on	1 pc.
b)	348-9310.00-00000	konischer Dreikant spitz, 7mm	32 mm	0 mm - 22 mm	screw-on	1 pc.

## Compression Latch with insert, version LH, closing right

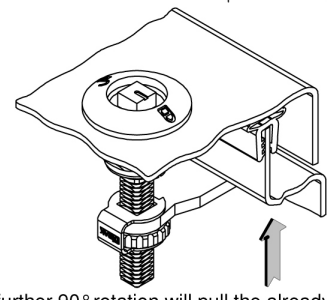
	Product number	Insert	Housing length	Door-thickness (S)	Installation type	Delivery Unit
a)	348-9152.00-00000	Square 8mm	22 mm	0 mm - 12 mm	screw-on	1 pc.
a)	348-9157.00-00000	Triangular 8mm	22 mm	0 mm - 12 mm	screw-on	1 pc.
a)	348-9153.00-00000	Double bit 3mm pin	22 mm	0 mm - 12 mm	screw-on	1 pc.
a)	348-9158.00-00000	Conical square 9mm	22 mm	0 mm - 12 mm	screw-on	1 pc.
b)	348-9350.00-00000	Square 6mm	32 mm	0 mm - 22 mm	screw-on	1 pc.
b)	348-9351.00-00000	Square 7mm	32 mm	0 mm - 22 mm	screw-on	1 pc.
b)	348-9352.00-00000	Square 8mm	32 mm	0 mm - 22 mm	screw-on	1 pc.
b)	348-9353.00-00000	Double bit 3mm pin	32 mm	0 mm - 22 mm	screw-on	1 pc.
b)	348-9354.00-00000	Double bit 5mm pin	32 mm	0 mm - 22 mm	screw-on	1 pc.
b)	348-9355.00-00000	Triangular 6.5mm	32 mm	0 mm - 22 mm	screw-on	1 pc.
b)	348-9356.00-00000	Triangular 7mm	32 mm	0 mm - 22 mm	screw-on	1 pc.
b)	348-9357.00-00000	Triangular 8mm	32 mm	0 mm - 22 mm	screw-on	1 pc.
b)	348-9358.00-00000	Conical square 9mm	32 mm	0 mm - 22 mm	screw-on	1 pc.
b)	348-9359.00-00000	Hex. SW 11	32 mm	0 mm - 22 mm	screw-on	1 pc.
b)	348-9360.00-00000	konischer Dreikant spitz, 7mm	32 mm	0 mm - 22 mm	screw-on	1 pc.



open, unlatched position



First 90° rotation: the cam latches behind the frame into the locked position. The door cannot be opened.



A further 90° rotation will pull the already latched cam towards the frame: the seal is compressed, the door is latched and free of play.