

Swinghandle SOFTLINE RS PrC

2-080.02



Advantages

- Swinghandle SOFTLINE with liftable operating lever.
- 90° Closing rotation.
- The swinghandle can be locked with 40mm long profile-cylinders (DIN 18252), key cylinder or insert. Cylinder cam on 45° or 90°.
- Locking stub is included in handle-assembly.
- Available with two different sliding dustcovers.
- IP65 according to DIN 60529 - version dish with cap.
For non IP65 applications - version dish with hook.
- RH / LH application.
- Grounding by grounding clip (optinal).

Material

- **Swinghandle, dish, cap, sliding cover:** PA, black

Remarks

(S) Door-thickness 1.5 - 2.5mm

Drawings for rod calculation (see accessories):

1. stroke 18mm
2. clearance

Inserts / profile half cylinders and their assembly must be ordered separately.

Version b), c) and d) for 40mm PHZ, key cylinder or insert.

Version a1) and b1) for 40mm PHZ with protruding cylinder head.

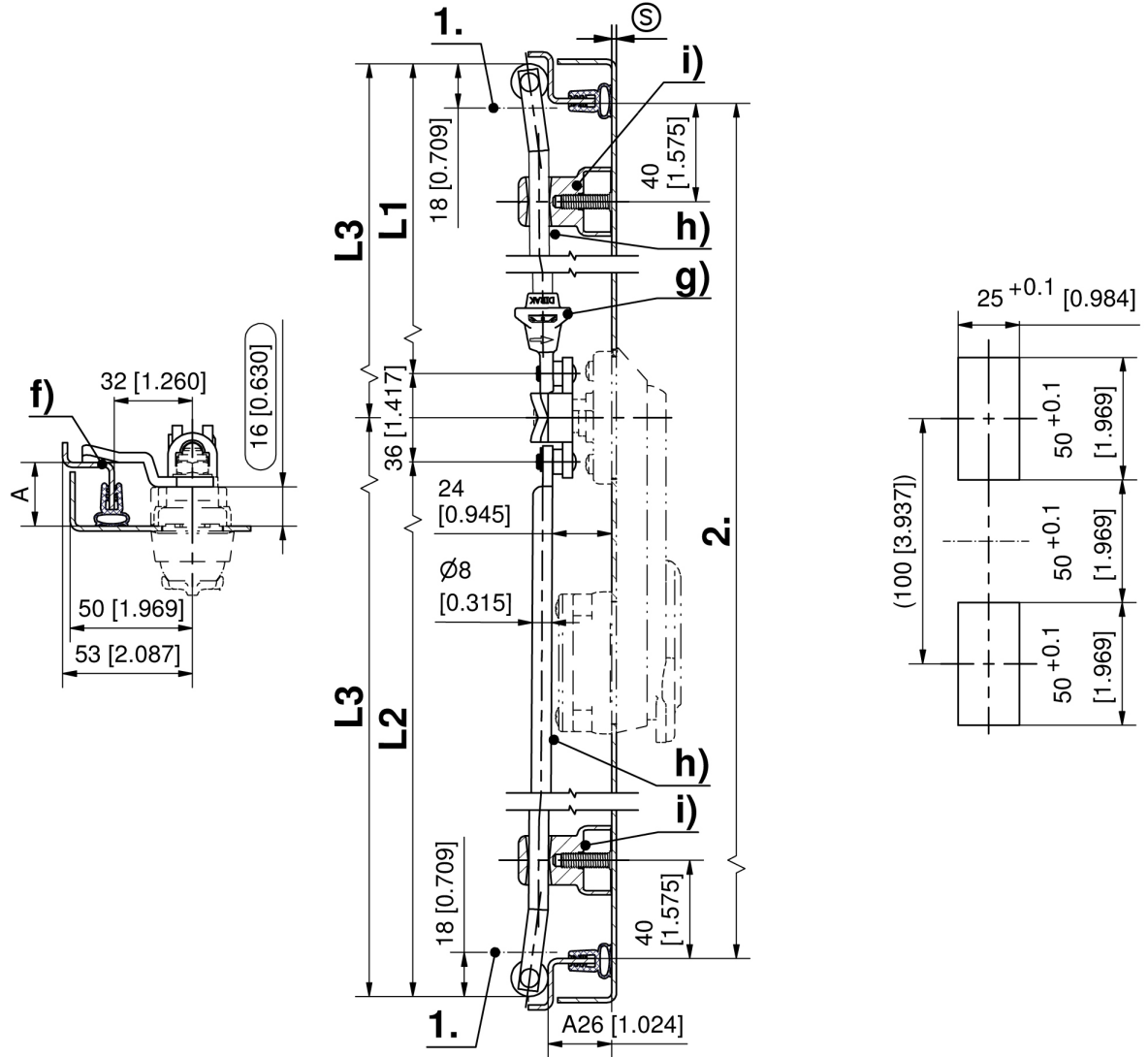
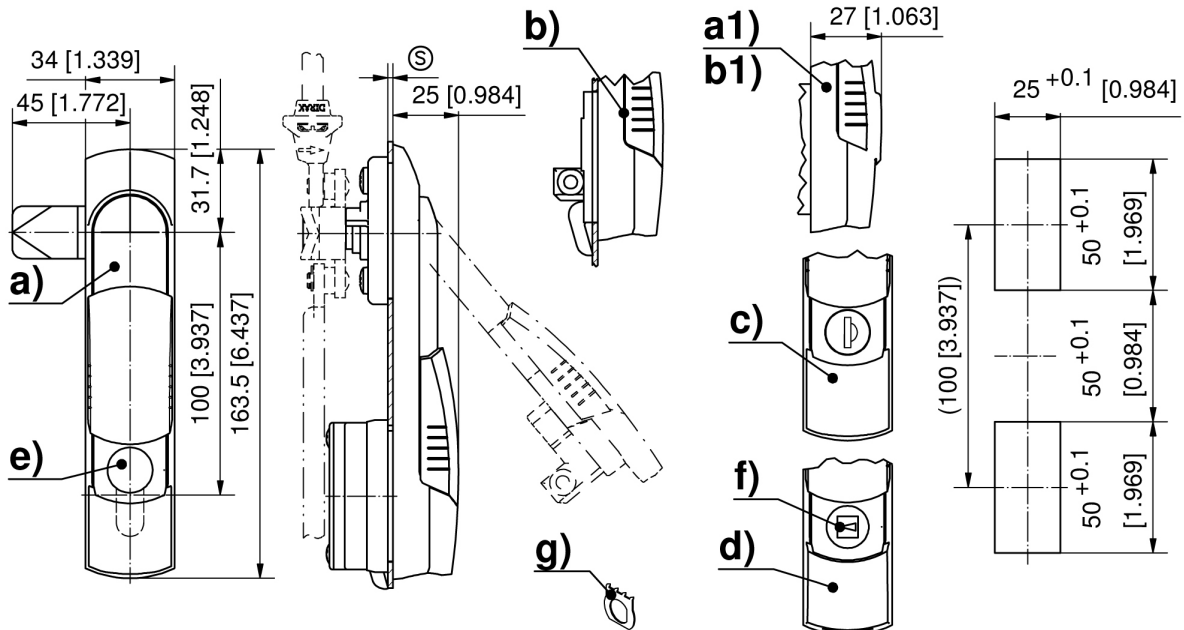
Version c) is supplied with 2 keys.



Swinghandle

	Product number	Latching type	Version	Dish	IP protection	Installation type	Delivery Unit
a)	107-9005.00-00000	for PHZ	for up to 2.5mm protruding cylinder head	with cap	IP65	screw-on	1 pc.
a1)	107-9006.00-00000	for PHZ	for up to 5mm protruding cylinder head	with cap	IP65	screw-on	1 pc.
b)	107-9007.00-00000	for PHZ	for up to 2.5mm protruding cylinder head	with hook		screw-on	1 pc.
b1)	107-9008.00-00000	for PHZ	for up to 5mm protruding cylinder head	with hook		screw-on	1 pc.
c)	107-9018.00-00000	keyed alike DIRAK 1333	-	with cap	IP65	screw-on	1 pc.
c)	507-9210.00-00000	keyed alike DS200	-	with cap	IP65	screw-on	1 pc.
c)	107-9020.00-00000	keyed different	-	with cap	IP65	screw-on	1 pc.

	Product number	Latching type	Version	Dish	IP protection	Installation type	Delivery Unit
c)	107-9021.00-00000	keyed alike DIRAK 1333	-	with hook		screw-on	1 pc.
c)	507-9211.00-00000	keyed alike DS200	-	with hook		screw-on	1 pc.
c)	107-9023.00-00000	keyed different	-	with hook		screw-on	1 pc.
d)	107-9024.00-00000	for insert	-	with cap	IP65	screw-on	1 pc.
d)	107-9025.00-00000	for insert	-	with hook		screw-on	1 pc.



Formula for rods with eye and rollers:
cutout in the door center (rod length varies)

$$L1 = \frac{\text{upper rod}}{2} = \frac{2 \cdot \text{clearance} - 12\text{mm}[0.472]}{2 [0.079]} - 50 \text{ mm} [1.969] \quad L2 = \frac{\text{lower rod}}{2} = \frac{2 \cdot \text{clearance} - 12\text{mm}[0.472]}{2 [0.079]} + 50 \text{ mm} [1.969]$$

cutout outside the door center (rod length equal)

$$L3 = \frac{2 \cdot \text{clearance} - 12\text{mm}[0.472]}{2[0.079]}$$