

Swinghandle RS PrC with Square Threaded Rod

2-092



Advantages

- Square threaded rod 40mm for adjustable single or 3-point cams
- Adjustability of the cam by catch for standard cams 2-151.02 and 3-point cam adapter with H-dimension adjustment 2-151.01.
- Adjustment possible at any time (e.g. compressed sealing).
- Dish with hook.
- IP65 according to DIN EN 60529.
- RH / LH application.
- Grounding by grounding nut (optional).
- Pre-assembled without cam.
- Version keyed alike is supplied with 2 keys.

Material

- **Handle, dish and cylinder dustcover:** see table
- **Square threaded rod:** zinc die, nickel plated
- **Bearing plate:** zinc die, untreated
- **Cap:** PA, black
- **Seals:** NBR

Remarks

(S) Door-thickness 1.5 - 2.5mm

1. stroke 18mm
2. clearance

Inserts / profile half cylinders and their assembly must be ordered separately.

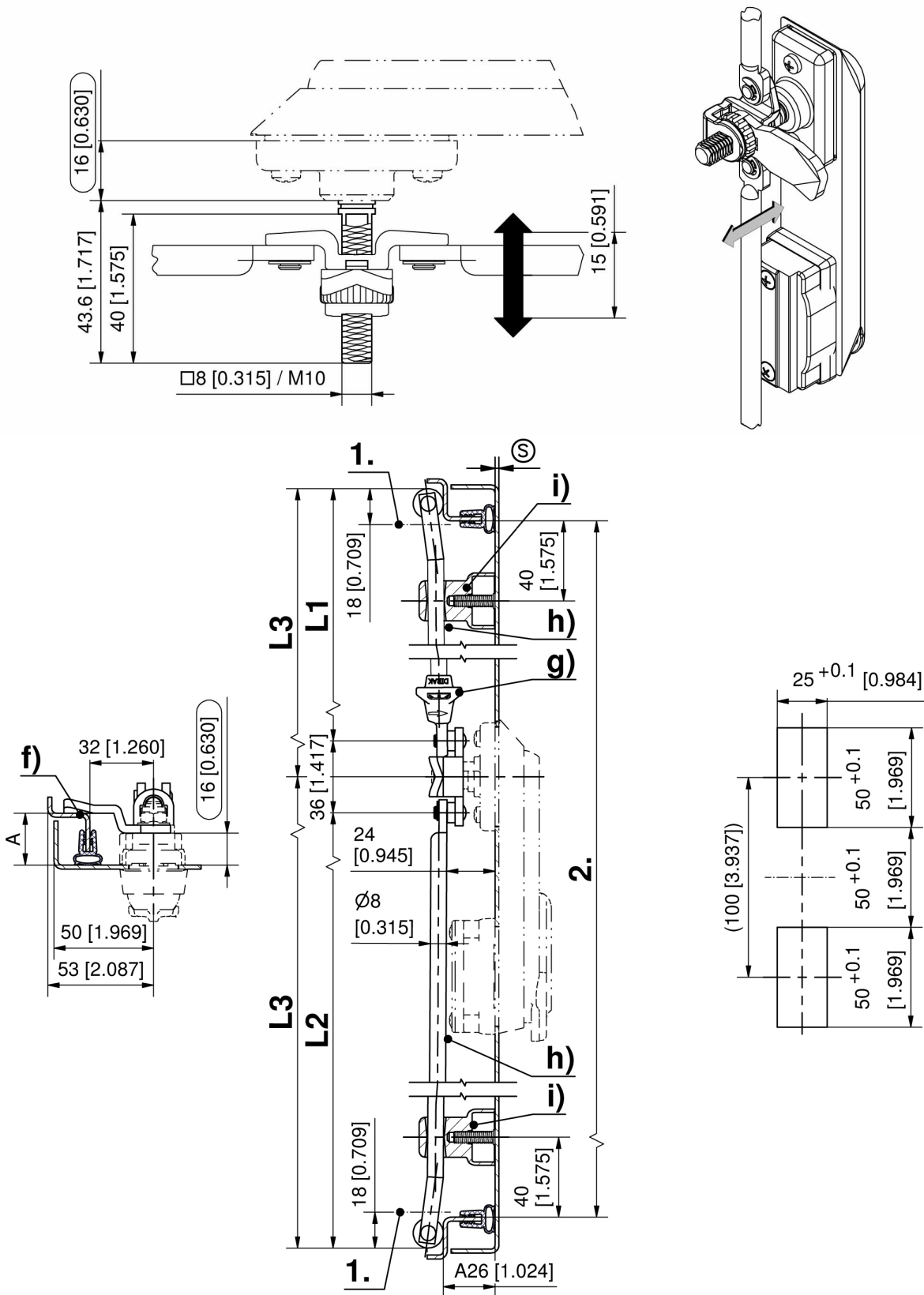
Further information on the swing handles can be found on pages 2-090, 2-090.01 and 2-090.03. If you need variants which are not listed here, please contact us.



Swinghandle with square threaded rod

Product number	Latching type	Handle material	Surface handle	Dish material	Surface dish	Cylinder cover material	Securab le	Padlock bolt	Installation type	Delivery Unit
207-9282.00-00040	for PHZ	PA	black	PA	black				screw-on	1 pc.

Product number	Latching type	Handle material	Surface handle	Dish material	Surface dish	Cylinder cover material	Securable	Padlock bolt	Installation type	Delivery Unit
107-9208.00-00040	for PHZ	zinc die	black	zinc die	black	zinc die	Yes		screw-on	1 pc.
107-9282.00-00040	for PHZ	zinc die	black	PA	black			Yes	screw-on	1 pc.
207-9238.00-00040	keyed alike DIRAK 1333	PA	black	PA	black				screw-on	1 pc.
207-9244.00-00040	for insert	PA	black	PA	black				screw-on	1 pc.
107-9206.00-00040	for insert	zinc die	chrome plated	PA	black				screw-on	1 pc.



Formula for rods with eye and rollers:
cutout in the door center (rod length varies)

$$L1 = \frac{\text{upper rod}}{2} = \frac{2 \cdot \text{clearance} - 12\text{mm}[0.472]}{2 [0.079]} - 50 \text{ mm} [1.969] \quad L2 = \frac{\text{lower rod}}{2} = \frac{2 \cdot \text{clearance} - 12\text{mm}[0.472]}{2 [0.079]} + 50 \text{ mm} [1.969]$$

cutout outside the door center (rod length equal)

$$L3 = \frac{2 \cdot \text{clearance} - 12\text{mm}[0.472]}{2[0.079]}$$