

NT Swinghandle RS PrC Stainless Steel

7-066



Advantages

- Extremely narrow gap.
- 135° Closing rotation.
- The flush design prevents this swinghandle being used as climbing support.
- Locking cylinder fitted in the dish and protected against being forced through.
- Bolted internal cap is made of stainless steel.
- Stroke 35 mm (1.378) by 3-point cam adapter 45°.
- IP65 according to DIN EN 60529.
- RH / LH application.
- (b) Cylinder cover screwable by M3x6, drive TX10.

Material

- **Swing handle, dish, cap, locking bolt and rotating disk** : AISI 316
- **Cap sealing and o-ring**: NBR
- **Washer**: PTFE- Teflon
- **Spring**: AISI 301
- **Locking bolt**: stainless steel AISI 316
- **Screws, grooved pin, pin with axial knurl and nut**: stainless steel

Remarks

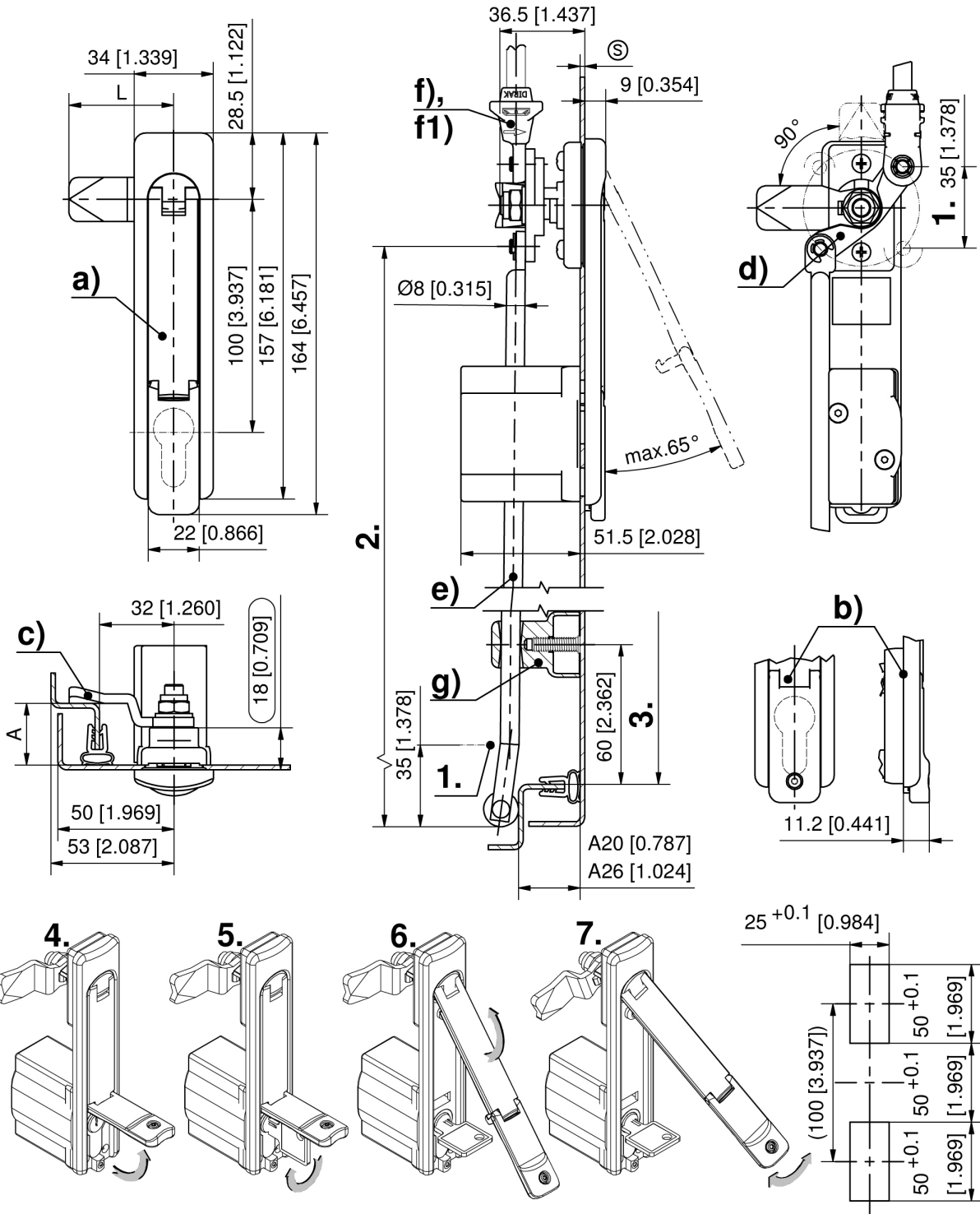
(S) Door-thickness 1.5 - 2.5mm

1. stroke 35mm
2. length L
3. clearance

Profile half cylinders and their assembly must be ordered separately.

Swinghandle for profile cylinder

	Product number	Version	Installation type	Delivery Unit
a)	307-9302.00-00000	-	screw-on	1 pc.
b)	307-9305.00-00000	cover screw down	screw-on	1 pc.



Formula for rods with eye and rollers:
cutout in the door center (rod length varies)

$$L = \frac{\text{upper rod}}{2} \frac{\text{clearance}-12\text{mm}[0.472]}{[0.079]} - 50 \text{ mm } [1.969] \quad L = \frac{\text{lower rod}}{2} \frac{\text{clearance}-12\text{mm}[0.472]}{[0.079]} + 50 \text{ mm } [1.969]$$

cutout outside the door center (rod length equal)

$$L = \frac{\text{clearance}-12\text{mm}[0.472]}{2[0.079]}$$