

DST Concealed Hinge Pr03 130°

4-124DST



Advantages

- For surface mounted doors.
- Hinge concealed.
- Bending 23mm.
- RH / LH application.
- 130° Opening angle.
- Tool-less installation of frame-part.
- The captive pin is pre-assembled.
- The pin engages to the wire springs at the frame-part and so it is captive.
- By pulling the pin the hinge can be removed.
- Door-part adjustable ± 5 mm.
- IP65 according to DIN EN 60529.

Material

- **Frame-part:** zinc die, untreated
- **Door-part and pin:** steel, zinc plated
- **Snap wedges:** sintered metal, coated
- **O-ring:** NBR
- **Bearing bushings:** POM

Remarks

1. door notch
2. weld stud M8x15
3. bearing bushings

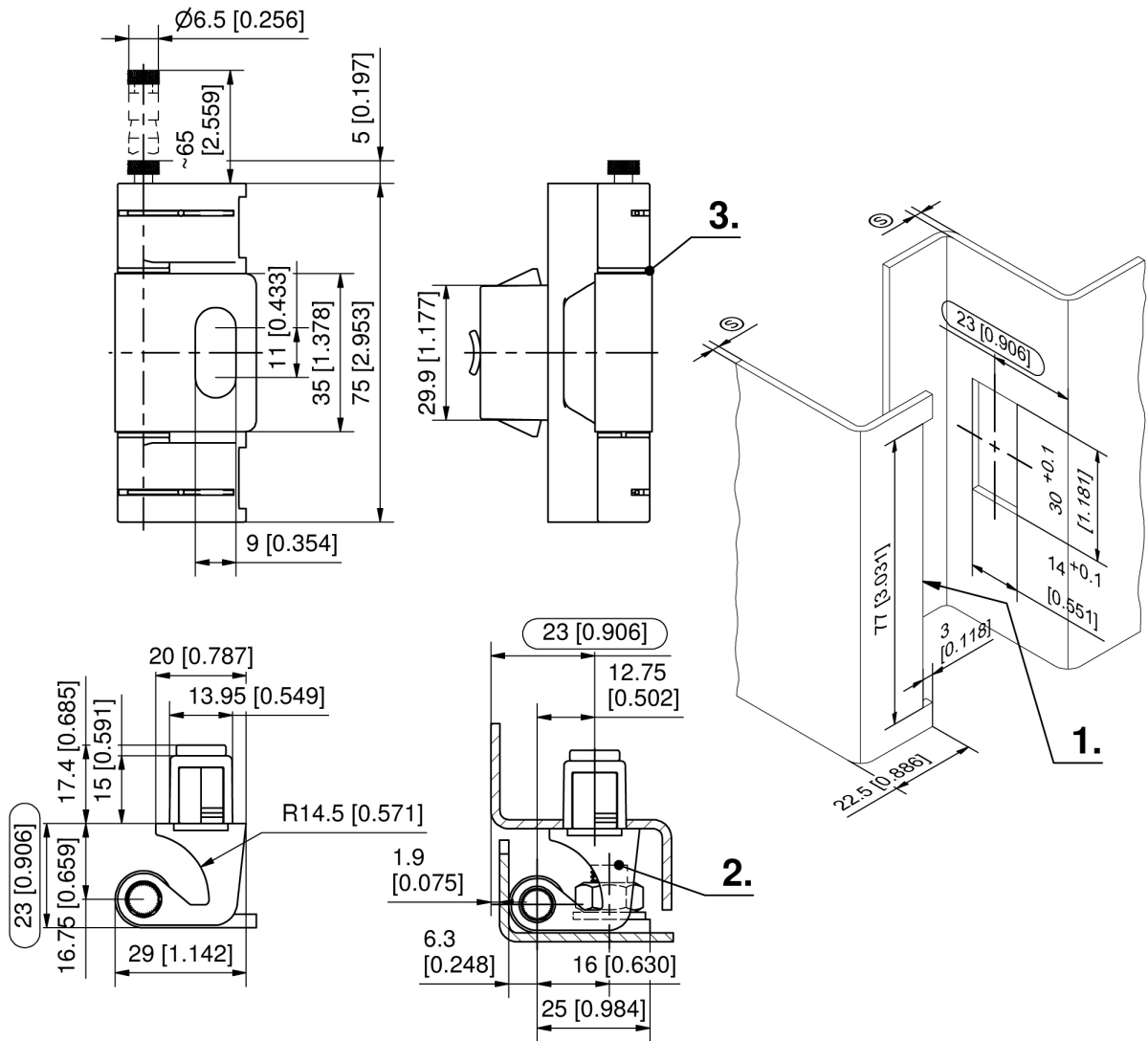
Hinge option 1: door LH, pin top, door RH, pin bottom

Product number	Clamping range (S)	Pin version	Installation type	Delivery Unit
443-9001.00-10015	1.2 mm - 1.7 mm	self-locking	tool-less / screw-on	10 pcs.
443-9001.00-10020	1.7 mm - 2.2 mm	self-locking	tool-less / screw-on	10 pcs.
443-9001.00-10025	2.2 mm - 2.7 mm	self-locking	tool-less / screw-on	10 pcs.

Product number	Clamping range (S)	Pin version	Installation type	Delivery Unit
443-9001.00-10030	2.7 mm - 3.2 mm	self-locking	tool-less / screw-on	10 pcs.
443-9001.00-10033	3 mm - 3.5 mm	self-locking	tool-less / screw-on	10 pcs.

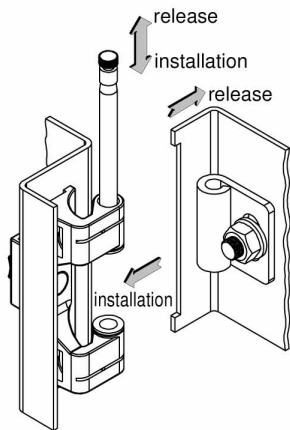
Hinge option 2: door RH, pin top, door LH, pin bottom

Product number	Clamping range (S)	Pin version	Installation type	Delivery Unit
443-9001.00-20015	1.2 mm - 1.7 mm	self-locking	tool-less / screw-on	10 pcs.
443-9001.00-20020	1.7 mm - 2.2 mm	self-locking	tool-less / screw-on	10 pcs.
443-9001.00-20025	2.2 mm - 2.7 mm	self-locking	tool-less / screw-on	10 pcs.
443-9001.00-20030	2.7 mm - 3.2 mm	self-locking	tool-less / screw-on	10 pcs.
443-9001.00-20033	3 mm - 3.5 mm	self-locking	tool-less / screw-on	10 pcs.

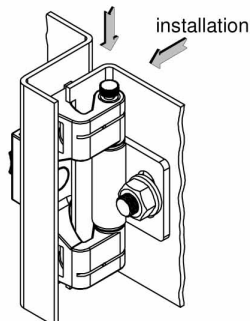


Examples of installation situations

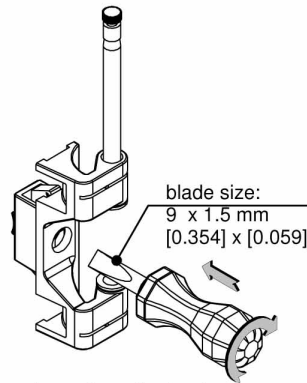




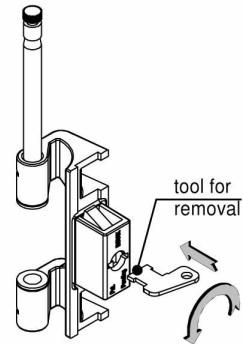
To remove the door, pull the pin till it latches in the **captive** end position.



Insert the pin when mounting the door. The pin latches in the end position.



release from the front
(remove black plug)



release from the rear
(remove red plug)