

Concealed Hinge Pr03 120°

4-125



Advantages

- For surface mounted doors.
- Hinge concealed.
- Door bending 23 mm.
- RH / LH application.
- 120° Opening angle.
- By rotating the 1/4 turn, the pivot pin is released and the door can be removed by pulling it to the front (see 2. and 3.).

Material

a), a1) and a2)

- **Door-part and ¼ turn:** zinc die, zinc plated
- **Frame-part and pin:** steel, zinc plated

b), b1) and b2)

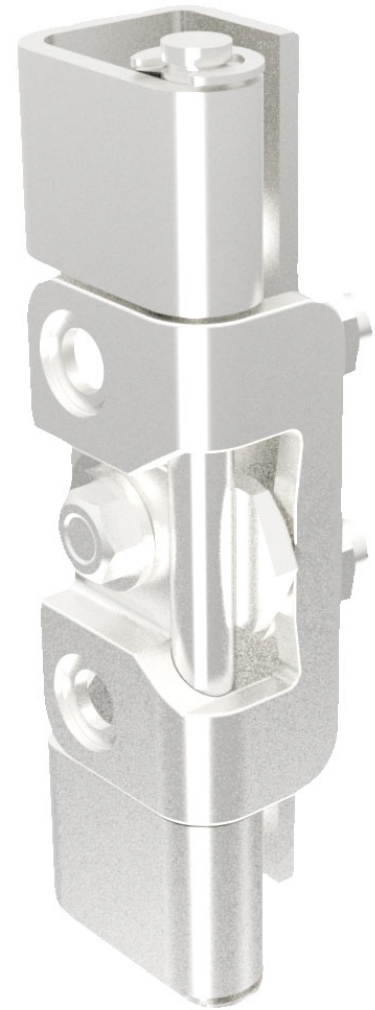
- **All parts:** steel, zinc plated

Remarks

To a2) and b2):

fastening washer is not used when Ø6.3.

1. installation instruction for fastening washer



Concealed hinge

	Product number	Frame-part	cutout in frame	Pin version	Installation type door-part	Delivery Unit
a)	243-9009.00-00000	with countersunk holes for M6	Ø6.3 or M6	with groove incl. locking washer DIN6799	screw-on	10 pcs.
a1)	243-9010.00-00000	with countersunk holes for M6 + fastening washer	□8 or Ø10	with groove incl. locking washer DIN6799	screw-on	10 pcs.
a2)	243-9011.00-00000	with studs for M6 + fastening washer	Ø6.3, □8, Ø10	with groove incl. locking washer DIN6799	screw-on	10 pcs.

Product number	Frame-part	cutout in frame	Pin version	Installation type door-part	Delivery Unit
b) 243-9003.00-00000	with countersunk holes for M6	Ø6.3 or M6	with groove incl. locking washer DIN6799	weld-on	10 pcs.
b1) 243-9002.00-00000	with countersunk holes for M6 + fastening washer	□8 or Ø10	with groove incl. locking washer DIN6799	weld-on	10 pcs.
b2) 243-9007.00-00000	with studs for M6 + fastening washer	Ø6.3, □8, Ø10	with groove incl. locking washer DIN6799	weld-on	10 pcs.

