

DST Concealed Hinge Pr03 130°

4-125DST



Advantages

- For surface mounted doors.
- Hinge concealed.
- Door bending 23mm.
- RH / LH application.
- 130° Opening angle.
- Tool-less installation of frame part.
- No tools needed. Just push the door onto the pin of the frame-part.
- The captive pin is pre-assembled.
- The pin engages to the wire springs at the frame-part and so it is captive.
- By pulling the pin the hinge can be removed.
- Door-part adjustable $\pm 5\text{mm}$.
- Seismic-proof according to GR-63-CORE, Issue 4.
- IP65 according to DIN EN 60529.

Material

- **Frame-part:** zinc die, untreated
- **Door-part and slider:** zinc die, zinc plated
- **Pin:** steel, zinc plated
- **Snap wedges:** sintered metal, plated
- **O-ring:** NBR
- **Bearing bushings:** POM

Remarks

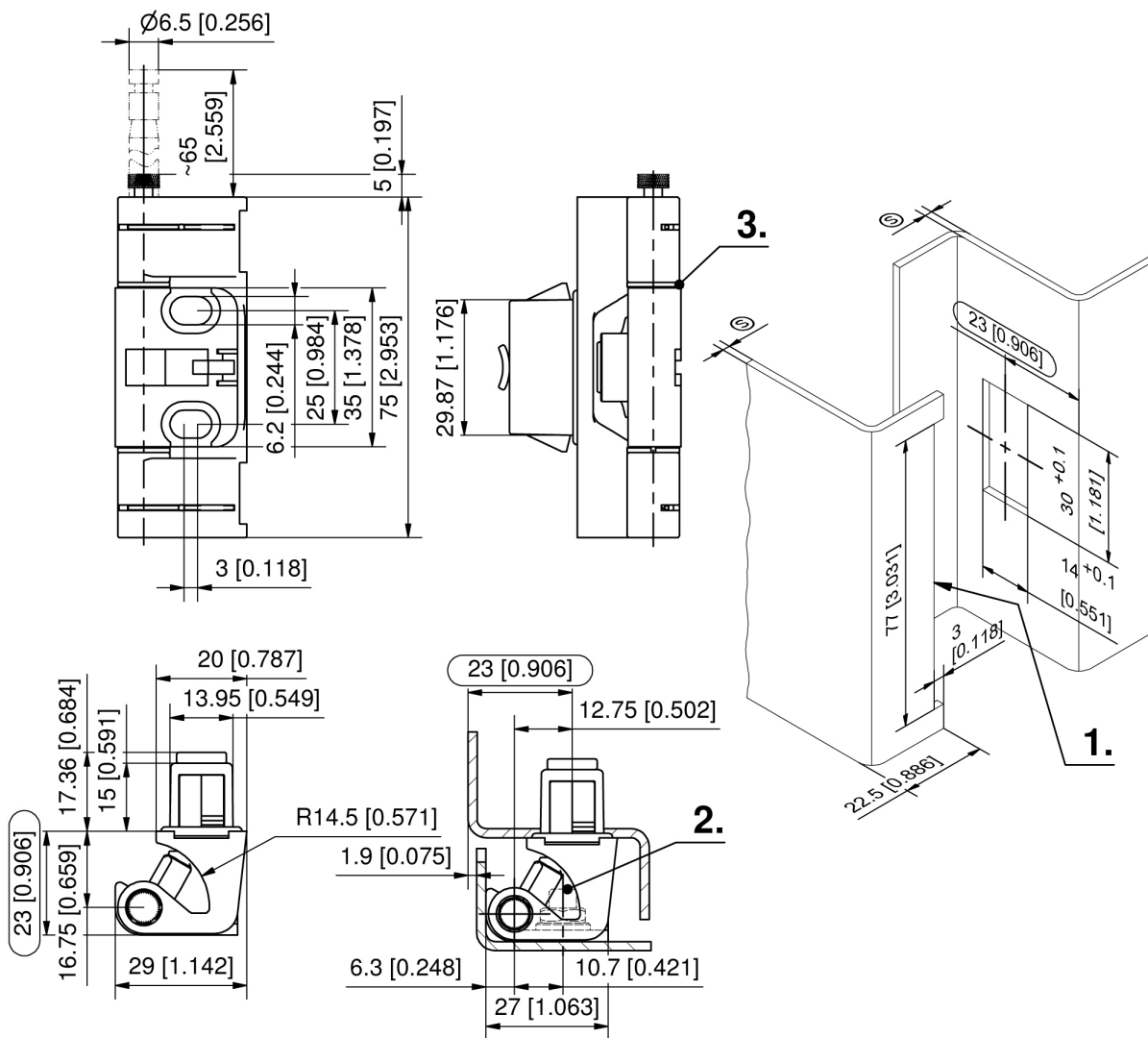
1. door notch
2. weld stud M6x12
3. bearing bushings

Hinge option 1: door LH, pin bottom, door RH, pin top

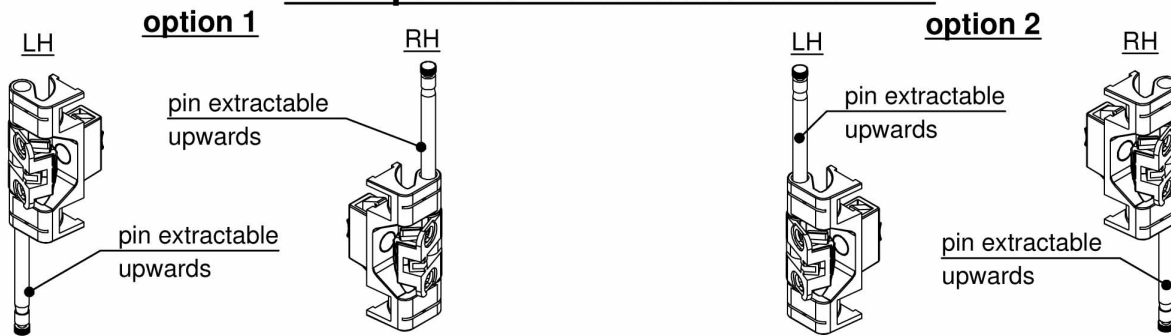
Product number	Clamping range (S)	Pin version	Installation type	Delivery Unit
443-9101.00-10015	1.2 mm - 1.7 mm	self-locking	tool-less / screw-on	10 pcs.
443-9101.00-10020	1.7 mm - 2.2 mm	self-locking	tool-less / screw-on	10 pcs.
443-9101.00-10025	2.2 mm - 2.7 mm	self-locking	tool-less / screw-on	10 pcs.
443-9101.00-10030	2.7 mm - 3.2 mm	self-locking	tool-less / screw-on	10 pcs.
443-9101.00-10033	3 mm - 3.5 mm	self-locking	tool-less / screw-on	10 pcs.

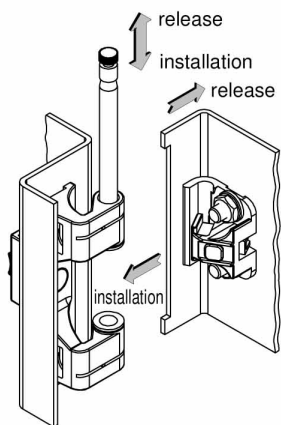
Hinge option 2: door LH, pin top, door RH, pin bottom

Product number	Clamping range (S)	Pin version	Installation type	Delivery Unit
443-9101.00-20015	1.2 mm - 1.7 mm	self-locking	tool-less / screw-on	10 pcs.
443-9101.00-20020	1.7 mm - 2.2 mm	self-locking	tool-less / screw-on	10 pcs.
443-9101.00-20025	2.2 mm - 2.7 mm	self-locking	tool-less / screw-on	10 pcs.
443-9101.00-20030	2.7 mm - 3.2 mm	self-locking	tool-less / screw-on	10 pcs.
443-9101.00-20033	3 mm - 3.5 mm	self-locking	tool-less / screw-on	10 pcs.

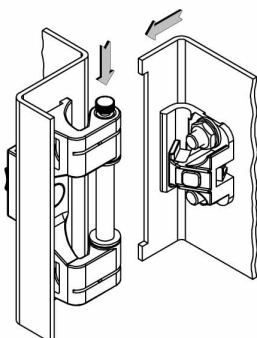


Examples of installation situations





To remove the door, pull the pin till it latches in the **captive** end position.



Door installation: Push the pin till it latches in the spring loaded closed position. Just push the door onto the pin of the frame part. No tools needed.

