

Concealed Hinge Pr03 120° Stainless Steel

7-165.01



Advantages

- For surface mounted doors.
- Hinge concealed.
- Door bending 23mm.
- RH / LH application.
- 120° Opening angle.
- Door-part screw-on and weld-on.
- Captive pin due to securing clip.
- Fire protection tested with E60 classification according to DIN EN 45545-3.

Material

- **Frame- and door-part, pin and fastening washer:** AISI 304
- **Securing clip:** POM, blue

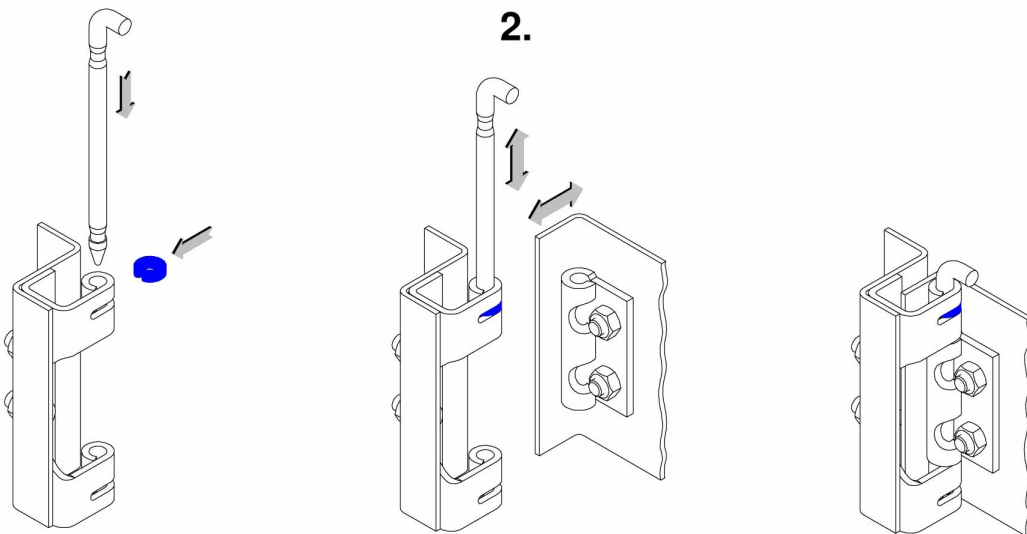
Remarks

1. installation instruction for fastening washer
2. installation of securing clip and mounting of the door-part in the frame-part

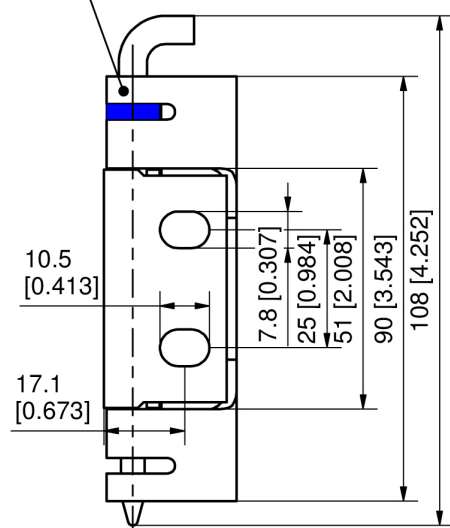


Concealed hinge

| Product number | Frame-part | cutout in frame | Pin version | Delivery Unit |
|----------------------|--|-----------------|--------------|---------------|
| a) 243-9214.00-00000 | with countersunk holes for M6 | Ø6.3 | self-locking | 10 pcs. |
| b) 243-9216.00-00000 | with countersunk holes for M6 + fastening washer | □8 or Ø10 | self-locking | 10 pcs. |
| c) 243-9215.00-00000 | with studs for M6 | Ø6.3 | self-locking | 10 pcs. |
| d) 243-9217.00-00000 | with studs for M6 + fastening washer | □8 or Ø10 | self-locking | 10 pcs. |



a), b)



c), d)

