

Concealed Hinge Pr03 120° Stainless Steel

7-167



Advantages

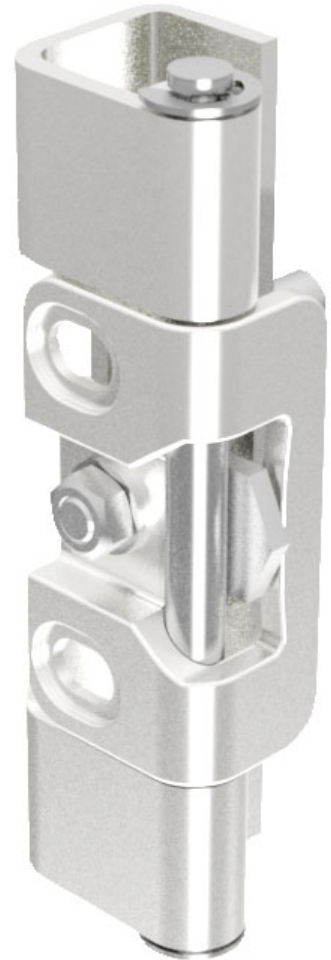
- For surface mounted doors.
- Hinge concealed.
- Door bending 23mm.
- RH / LH application.
- 120° Opening angle.
- By rotating the 1/4 turn on the door-part, the door can be removed to the front. (see 2. and 3.)

Material

- **Frame-part, cross-bar and fastening washer:** AISI 304
- **Door-part:** AISI 316
- **Pin:** AISI 303
- **Washer:** PA

Remarks

1. installation instruction for fastening washer



Concealed hinge

	Product number	Frame-part	cutout in frame	Pin version	Installation type	Delivery Unit
a)	243-9212.00-00000	with countersunk holes for M6	Ø6.3 or M6	with groove incl. locking washer DIN6799	screw-on	10 pcs.
a1)	243-9213.00-00000	with countersunk holes for M6 + fastening washer	□8 or Ø10	with groove incl. locking washer DIN6799	screw-on	10 pcs.
a2)	243-9211.00-00000	with studs for M6	Ø6.3, □8, Ø10	with groove incl. locking washer DIN6799	screw-on	10 pcs.

