

Compression Latch

1-205

RoHS
WEEEIP
65

Advantages

- **Version a):** the H-dimension can be adjusted on the square threaded rod with the included nuts by +/- 20mm.
Use of cams c).
- **Version b):** the H-dimension can be varied via the cranking of the cams.
Use of cams d).
- The cams can be installed in four positions by rotating them 90°.
- IP65 according to DIN EN 60529 with flat seal (optional).



Material

- **Compression latch:** zinc die, black or zinc plated
- **Square threaded rod, shaft and cams:** steel, zinc plated

Remarks

Installation with blind rivets or screws.

1. compression 7mm
2. open position
3. cam behind the locking surface
4. by folding of the handle the cam is tightened at the locking surface
5. lockable with padlock

Compression Latch, zinc die, black, version a)

	Product number	Door-thickness (S)	variable H-dimension	Installation type	Delivery Unit
a)	200-9935.00-00000	0 mm - 50 mm	30 mm - 60 mm	screw-on	10 pcs.
a)	200-9936.00-00000	0 mm - 70 mm	50 mm - 80 mm	screw-on	10 pcs.
a)	200-9937.00-00000	0 mm - 90 mm	70 mm - 100 mm	screw-on	10 pcs.
a)	200-9938.00-00000	0 mm - 110 mm	90 mm - 120 mm	screw-on	10 pcs.

Compression Latch, zinc die, zinc plated, version a)

	Product number	Door-thickness (S)	variable H-dimension	Installation type	Delivery Unit
a)	200-9939.00-00000	0 mm - 50 mm	30 mm - 60 mm	screw-on	10 pcs.
a)	200-9940.00-00000	0 mm - 70 mm	50 mm - 80 mm	screw-on	10 pcs.
a)	200-9941.00-00000	0 mm - 90 mm	70 mm - 100 mm	screw-on	10 pcs.
a)	200-9942.00-00000	0 mm - 110 mm	90 mm - 120 mm	screw-on	10 pcs.

Compression Latch, zinc die, black, version b)

	Product number	Door-thickness (S)	variable H-dimension	Installation type	Delivery Unit
b)	200-9916.00-00000	0 mm - 42 mm	32 mm - 54 mm	screw-on	10 pcs.
b)	200-9918.00-00000	0 mm - 62 mm	52 mm - 74 mm	screw-on	10 pcs.
b)	200-9920.00-00000	0 mm - 82 mm	72 mm - 94 mm	screw-on	10 pcs.
b)	200-9922.00-00000	0 mm - 102 mm	92 mm - 114 mm	screw-on	10 pcs.

Compression Latch, zinc die, zinc plated, version b)

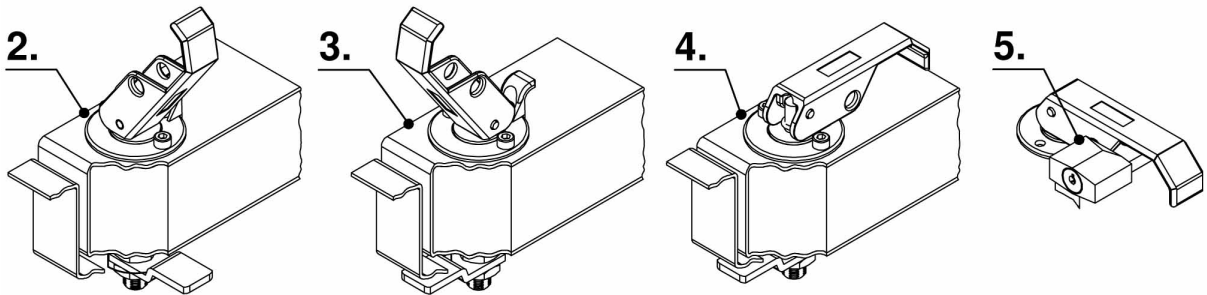
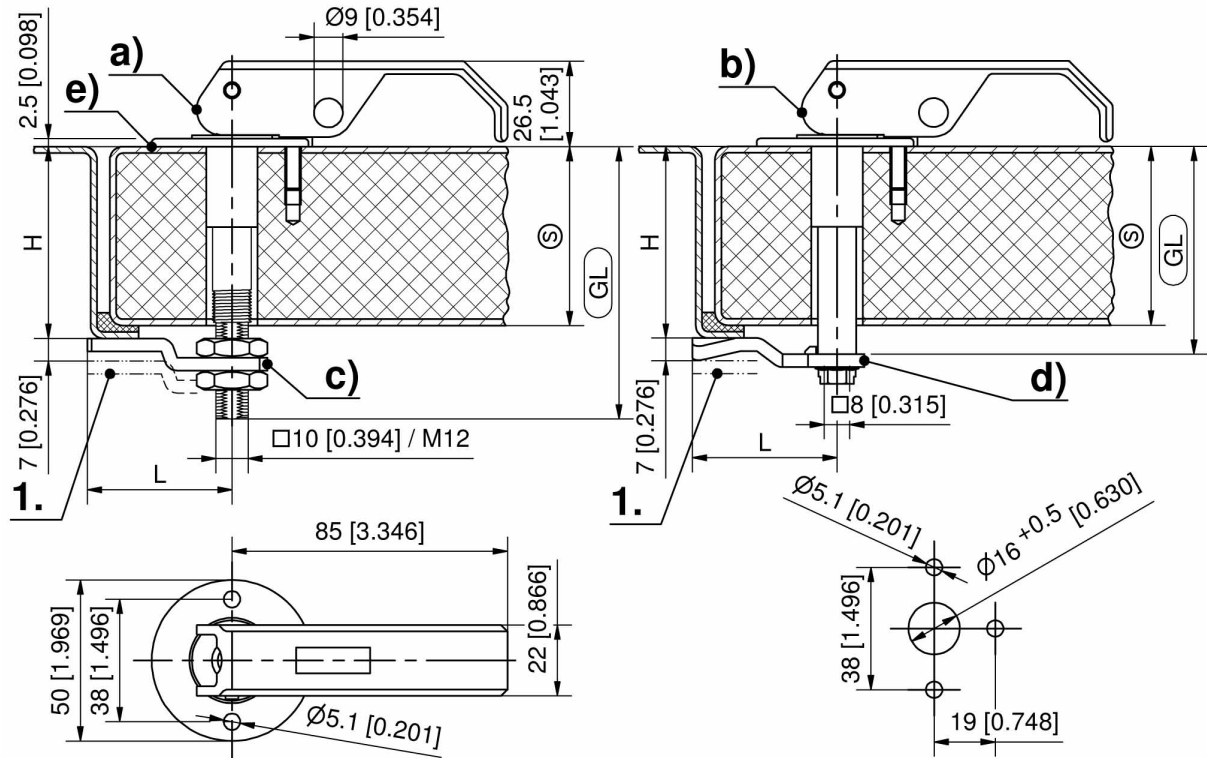
	Product number	Door-thickness (S)	variable H-dimension	Installation type	Delivery Unit
b)	200-9926.00-00000	0 mm - 42 mm	32 mm - 54 mm	screw-on	10 pcs.
b)	200-9928.00-00000	0 mm - 62 mm	52 mm - 74 mm	screw-on	10 pcs.
b)	200-9930.00-00000	0 mm - 82 mm	72 mm - 94 mm	screw-on	10 pcs.
b)	200-9932.00-00000	0 mm - 102 mm	92 mm - 114 mm	screw-on	10 pcs.

Cam, straight

	Product number	Length	Delivery Unit
c)	200-5508.00-00045	45 mm	10 pcs.
c)	200-5508.00-00060	60 mm	10 pcs.
c)	200-5508.00-00065	65 mm	10 pcs.

Cam, cranked

	Product number	Length	Delivery Unit
c)	200-5507.00-00045	45 mm	10 pcs.
c)	200-5507.00-00060	60 mm	10 pcs.



d) Cam (e.g. L=45mm/1.772inch)

Frame size H at TS max.	42/1.654	62/2.441	82/3.228	102/4.016	Part No.
	32/1.260	52/2.047	72/2.835	92/3.622	200-0404
	34/1.339	54/2.126	74/2.913	94/3.701	200-0406
	36/1.417	56/2.205	76/2.992	96/3.780	200-0408
	38/1.496	58/2.283	78/3.071	98/3.858	200-0410
	41/1.614	61/2.402	81/3.189	101/3.976	200-0413
	42/1.654	62/2.441	82/3.228	102/4.016	200-0414
	44/1.732	64/2.520	84/3.307	104/4.094	200-0416
	46/1.811	66/2.598	86/3.386	106/4.173	200-0418
	48/1.890	68/2.677	88/3.465	108/4.252	200-0420
	50/1.969	70/2.756	90/3.543	110/4.331	200-0422
	52/2.047	72/2.835	92/3.622	112/4.409	200-0424
	54/2.216	74/2.913	94/3.701	114/4.488	200-0426