

Lock Support for Slam Latch

6-111.03

RoHS
WEEE

Advantages

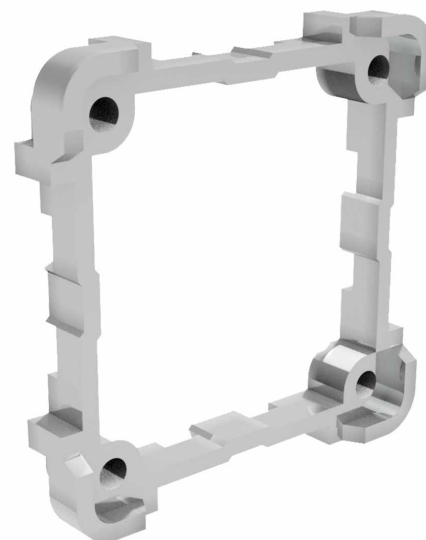
- Lock support 229-0504.35-04045 for bending of 11.5 or 16mm.
- Lock support 229-0504.35-04050 for bending of 11.5 or 21mm.

Material

- **Lock support:** zinc die, untreated

Remarks

1. e.g. lock cover 237-9001
2. PHZ is under the door panel



Lock Support for Slam Latch

	Product number	for bending	Installation type	Delivery Unit
a)	229-0504.35-04045	11,5 or 16mm	screw-on	1 pc.
b)	229-0504.35-04050	11,5 or 21mm	screw-on	1 pc.

