

Cams for Heavy Duty Latches

6-280.03

RoHS
WEEE

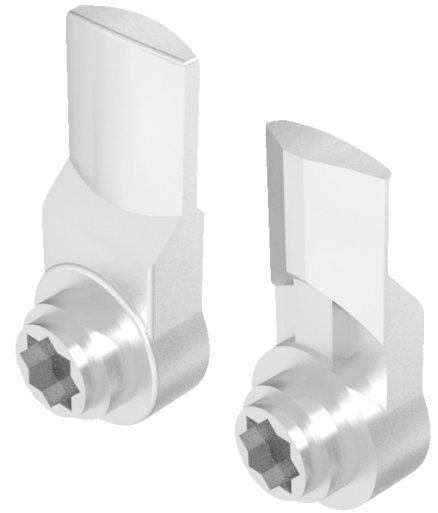
Advantages

- 8 x 45° adjustable.

Material

- **Cams:** zinc die, zinc plated

Remarks



Cams

	Product number	Height H	Length	Delivery Unit
e1)	232-0501.00-00000	8 mm	60 mm	1 pc.
e2)	232-0502.00-00000	16 mm	65 mm	1 pc.

