

# Bridge Handle PA

6-1000

RoHS  
WEEE



## Advantages

- For vertical or horizontal applications.
- Resistant to dirt and easy to clean due to sloping surfaces and transition radii.
- Corrosion-resistant.
- Screws are covered by plugs.
- Plugs clip into the handle tool-less.

## Material

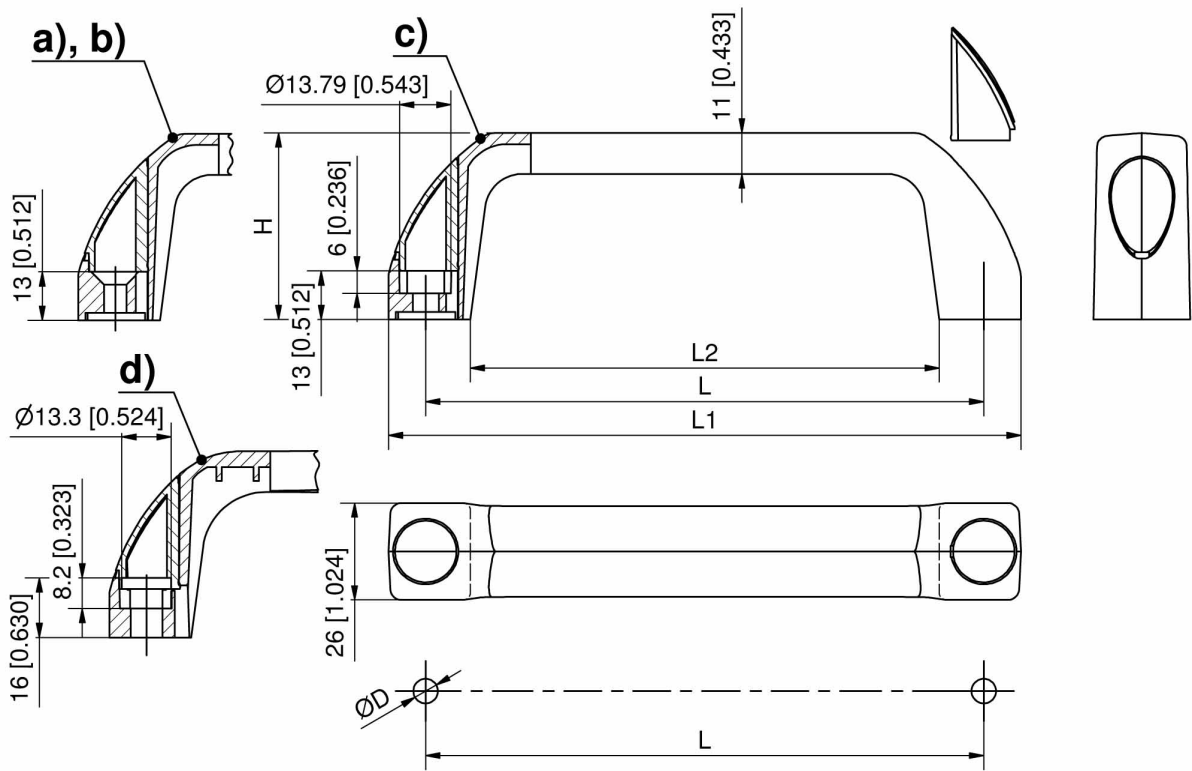
- **Bridge handle:** PA, black

## Remarks

Fastening by cylinder head screws DIN 7984,  
cylinder head screws DIN EN ISO 4762, hex. head screws DIN 931 and / or  
countersunk screws DIN EN ISO 10642.

## Polyamide handle complete, with 2 plugs

Product number	Fastening type	L	L1	L2	H	Installation type	Delivery Unit
a) 213-9207.00-00000	Countersunk screws M5	122 mm	142 mm	98 mm	41 mm - 41 mm	screw-on	10 pcs.
a) 213-9204.00-00000	Countersunk screws M5	122 mm	142 mm	98 mm	50 mm - 50 mm	screw-on	10 pcs.
a) 213-9202.00-00000	Countersunk screws M5	150 mm	170 mm	126 mm	50 mm - 50 mm	screw-on	10 pcs.
b) 213-9205.00-00000	Countersunk screws M6	122 mm	142 mm	98 mm	50 mm - 50 mm	screw-on	10 pcs.
c) 213-9206.00-00000	Cylinder head screws / hex. screws M6	122 mm	142 mm	98 mm	41 mm - 41 mm	screw-on	10 pcs.
c) 213-9203.00-00000	Cylinder head screws / hex. screws M6	122 mm	142 mm	98 mm	50 mm - 50 mm	screw-on	10 pcs.
c) 213-9201.00-00000	Cylinder head screws / hex. screws M6	150 mm	170 mm	126 mm	50 mm - 50 mm	screw-on	10 pcs.
d) 350-2040.00-00000	Cylinder head screws M8	179 mm	199 mm	155 mm	50 mm - 50 mm	screw-on	10 pcs.





## Additional information

### Dimensions of PA Handles

All dimensions are to be understood as nominal dimensions in the assembled condition. Due to post-shrinkage, relaxation and moisture absorption depending on potential influences (e.g. temperature, humidity, etc.), the dimensional accuracy may deviate in the delivery / storage condition without affecting the assembly of the article.