

Bridge Handle PA

6-1000.01

RoHS
WEEE



Advantages

- For vertical or horizontal applications.
- Resistant to dirt and easy to clean due to sloping surfaces and transition radii.
- Corrosion-resistant.
- Screws are covered by plugs.
- Plugs clip into the handle tool-less.

Material

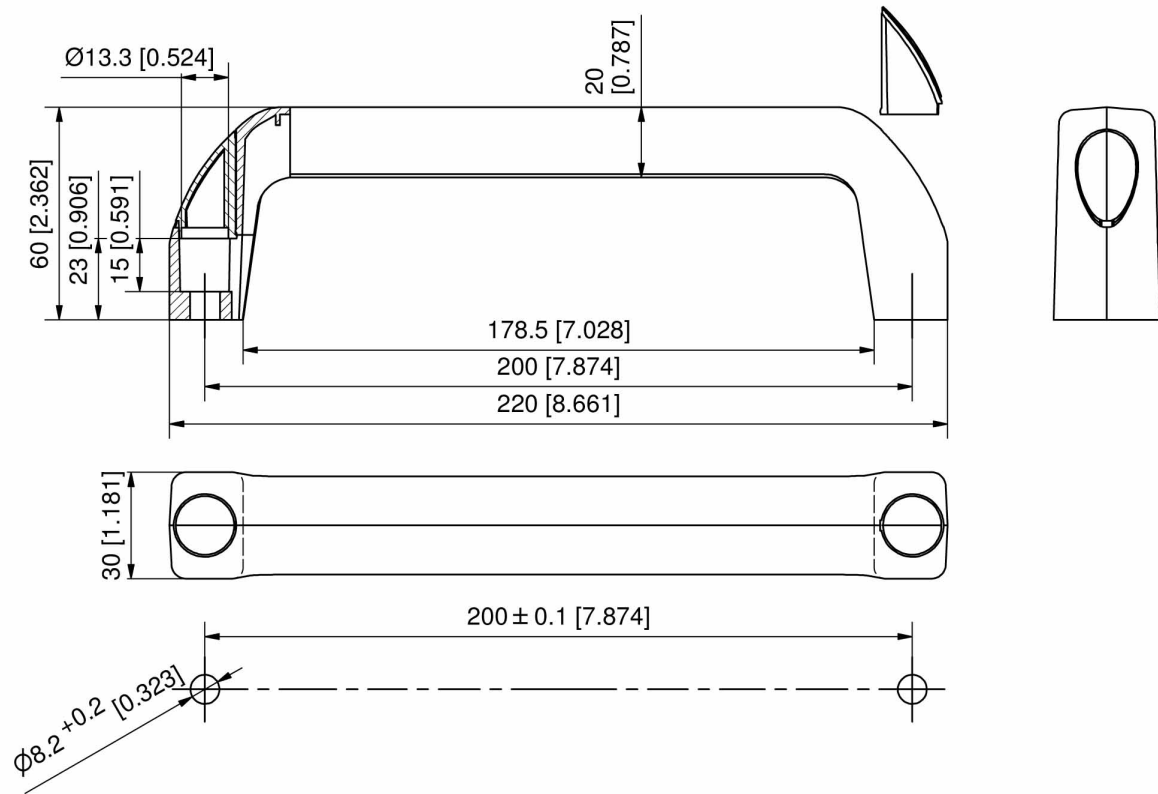
Handle and plugs: PA, grey (RAL 7001) or black, matt

Remarks

Fastening with M8 cylinder head screws DIN7984.

Polyamide handle complete, with 2 plugs

Product number	Surface	L	L1	L2	H	Installation type	Delivery Unit
352-2151.03-00000	grey RAL 7001	200 mm	220 mm	178,5 mm	60 mm - 60 mm	screw-on	10 pcs.
352-2151.03-00001	black	200 mm	220 mm	178,5 mm	60 mm - 60 mm	screw-on	10 pcs.





Additional information

Dimensions of PA Handles

All dimensions are to be understood as nominal dimensions in the assembled condition. Due to post-shrinkage, relaxation and moisture absorption depending on potential influences (e.g. temperature, humidity, etc.), the dimensional accuracy may deviate in the delivery / storage condition without affecting the assembly of the article.