

# PA Bridge Handle

6-1031



## Advantages

- Bridge handle, two sizes.
- For vertical or horizontal applications.

## Material

- **Bridge handle:** PA, black

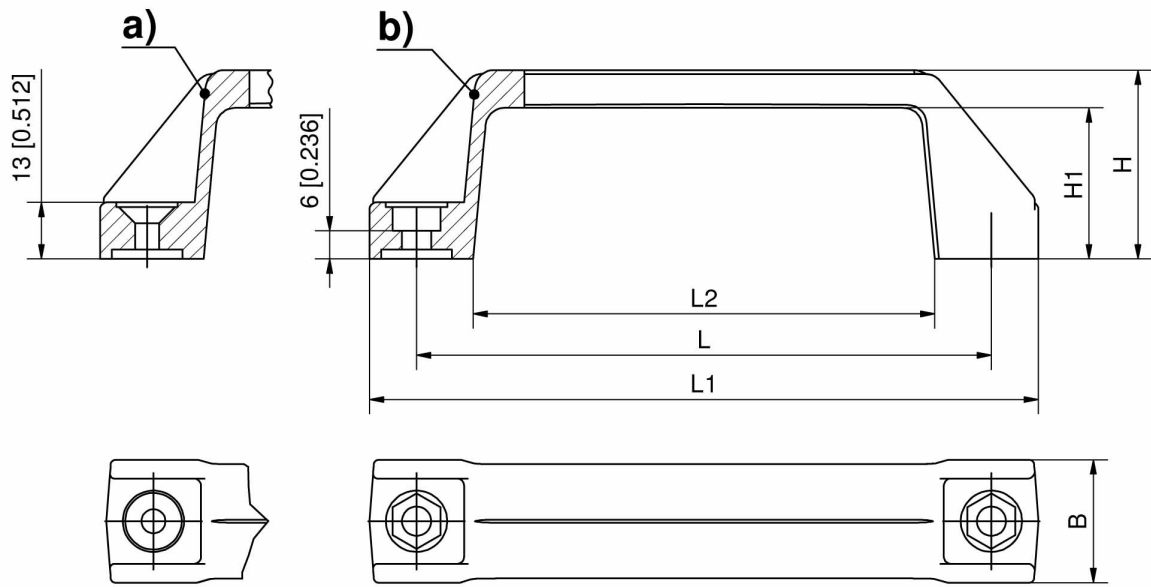
## Remarks

a) fastening with cap screws DIN 7984, cap screws DIN ISO 4762, hexagon head screws DIN 931 SW10.

b) fastening with countersunk head screws DIN EN ISO 10642.

## Bridge Handle

	Product number	Fastening type	L	L1	L2	H	H1	B	Installation type	Delivery Unit
a)	213-0202.03-00000	Countersunk screws M5	122 mm	142 mm	98 mm	40 mm - 40 mm	32 mm	26 mm	screw-on	10 pcs.
b)	213-0201.03-00000	Hexagon screws M6	122 mm	142 mm	98 mm	40 mm - 40 mm	32 mm	26 mm	screw-on	10 pcs.
a)	213-0204.03-00000	Countersunk screws M5	150 mm	170 mm	120 mm	52 mm - 52 mm	42 mm	28 mm	screw-on	10 pcs.
b)	213-0203.03-00000	Hexagon screws M6	150 mm	170 mm	120 mm	52 mm - 52 mm	42 mm	28 mm	screw-on	10 pcs.





## Additional information

### Dimensions of PA Handles

All dimensions are to be understood as nominal dimensions in the assembled condition. Due to post-shrinkage, relaxation and moisture absorption depending on potential influences (e.g. temperature, humidity, etc.), the dimensional accuracy may deviate in the delivery / storage condition without affecting the assembly of the article.