

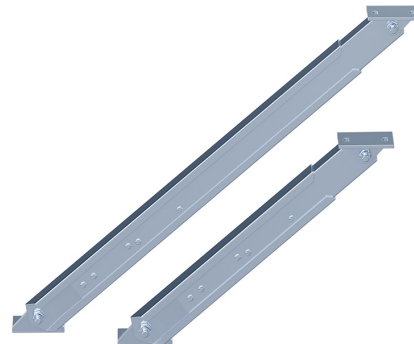
Telescopic Cover Support

6-170



Advantages

- Telescopic cover support for covers and desk-leafs.
- Automatic locking and unlocking functionality by guide mechanism.
- Guides separately riveted, locking lever made of stainless steel.
- Robust design.
- RH / LH application.



Material

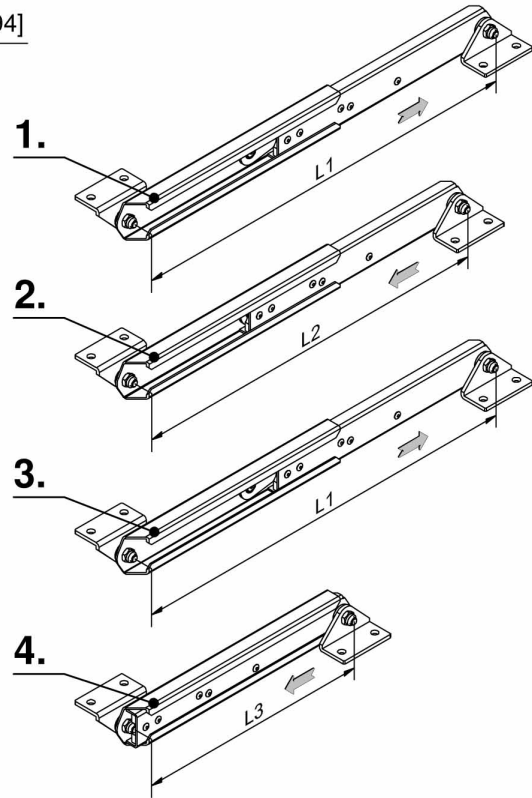
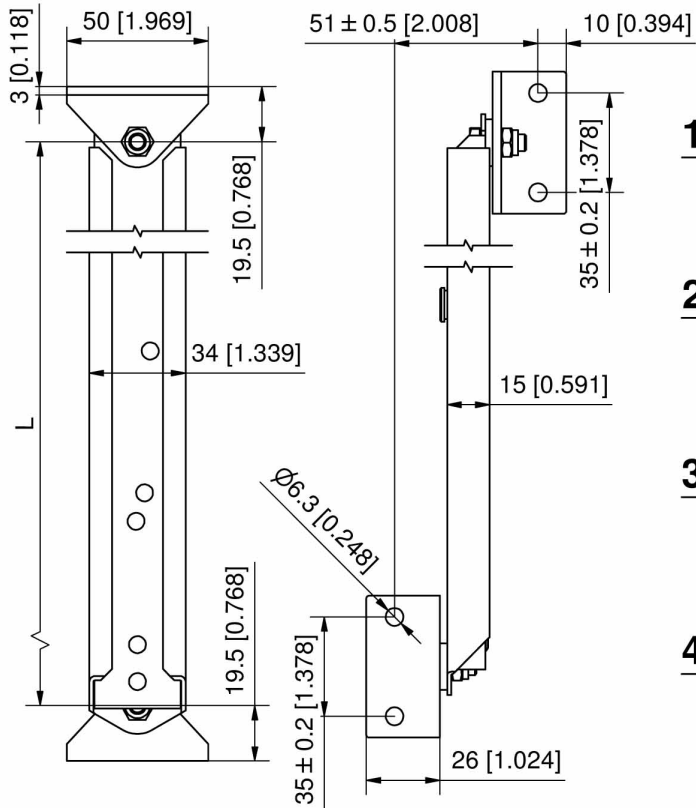
- **Inner- and outer rails, mounting angles and cam plates:** steel, zinc plated
- **Catch lever:** stainless steel (cast)

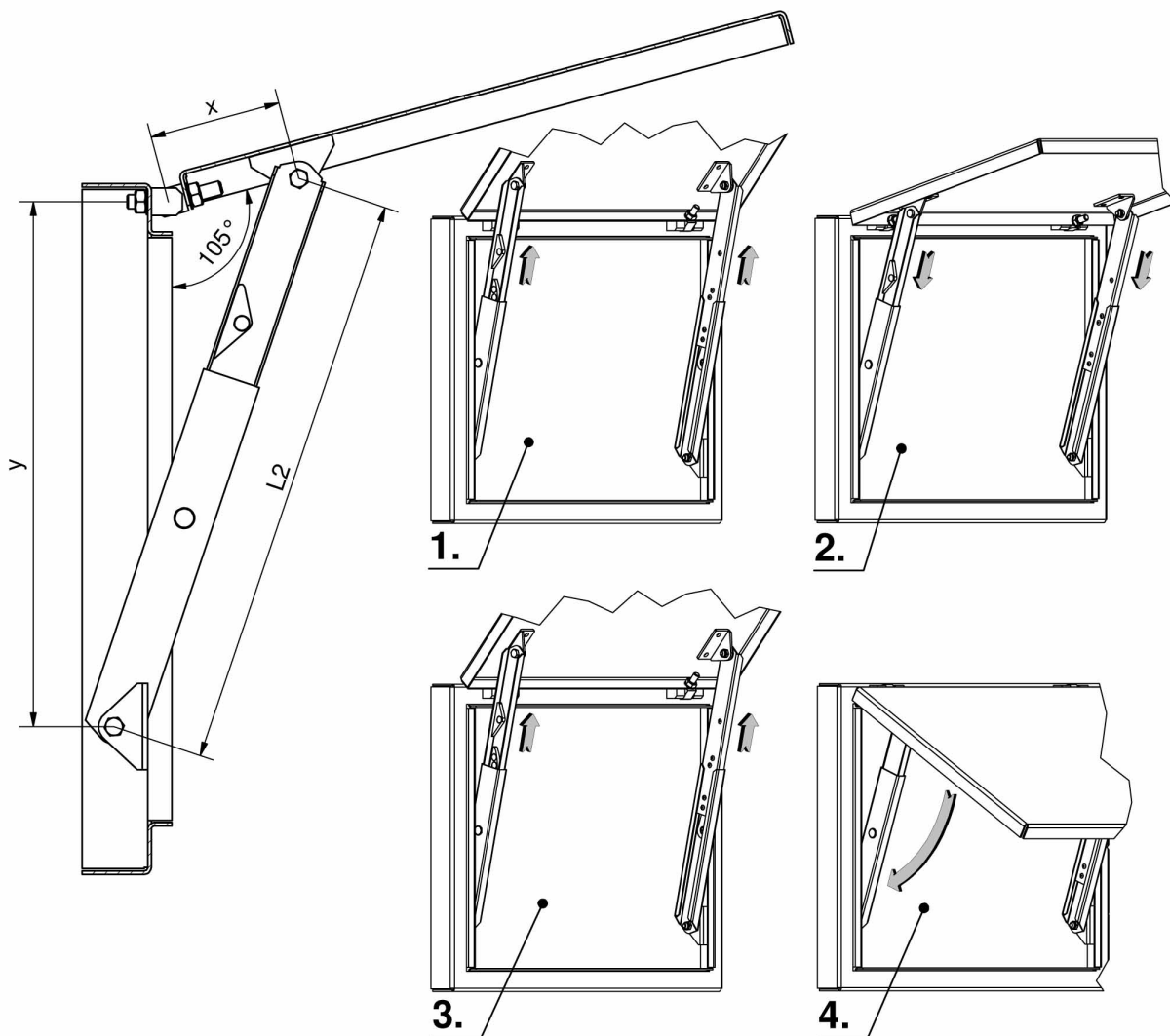
Remarks

1. alignment of the locking lever by complete extension of the telescopic cover support.
2. after retraction of 3 cm the telescopic cover support snaps in securely.
3. renewed extension brings the locking lever back into free-run position.
4. the telescopic cover support can be retracted now.

Telescopic Cover Support

Product number	Length L1 extended	Length L2 extended, snapped	Length L3 retracted	Delivery Unit
230-9001.00-00000	365±2	335±2 mm	215±2	1 pc.
230-9002.00-00000	725±2	695±2	395±2	1 pc.





Telescopic cover support 230-9002.00-00000

Opening Angle	Length L3, retracted mm [inch]	Length L2, extended, engaged mm [inch]	Length L1, extended mm [inch]	approx. Dimension y mm [inch]	approx. Dimension x mm [inch]
90°	395±2 [15.551]	695±2 [27.362]	725±2 [28.543]	653 [25.709]	220 [8.661]
105°	395±2 [15.551]	695±2 [27.362]	725±2 [28.543]	610 [24.016]	200 [7.874]
120°	395±2 [15.551]	695±2 [27.362]	725±2 [28.543]	582 [22.913]	180 [7.087]
135°	395±2 [15.551]	695±2 [27.362]	725±2 [28.543]	568 [22.362]	160 [6.299]

Telescopic cover support 230-9001.00-00000

Opening Angle	Length L3, retracted mm [inch]	Length L2, extended, engaged mm [inch]	Length L1, extended mm [inch]	approx. Dimension y mm [inch]	approx. Dimension x mm [inch]
90°	215±2 [8.465]	335±2 [13.189]	365±2 [14.370]	315 [12.402]	100 [3.937]
105°	215±2 [8.465]	335±2 [13.189]	365±2 [14.370]	298 [11.732]	85 [3.346]

- The stated dimensions are only valid in the shown assembly situation (Hinge 4-200).
 - Changing the assembly situation makes own tests necessary.
 - Opening angle can be varied by changing dimensions y and x.
1. For opening push into end position
 2. Engaged position
 3. For closing push again into end position
 4. Lock