

Telescopic Cover Support

6-174



Advantages

- Telescopic cover stay with multiple stops and release in the end position, for desk-leafs and covers.
- RH / LH application.

Material

- **Telescopic cover support and mounting angle:** steel, zinc plated

Remarks

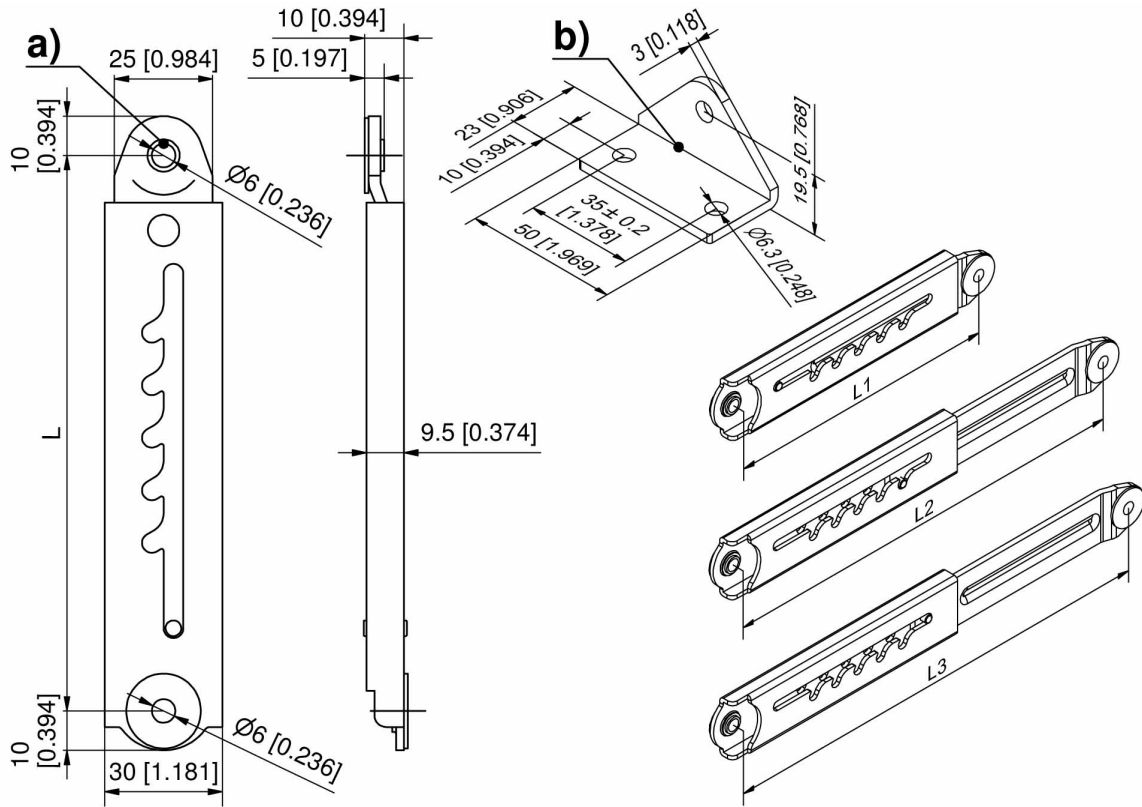
To release the mechanism, the cover stay has to be extended completely.

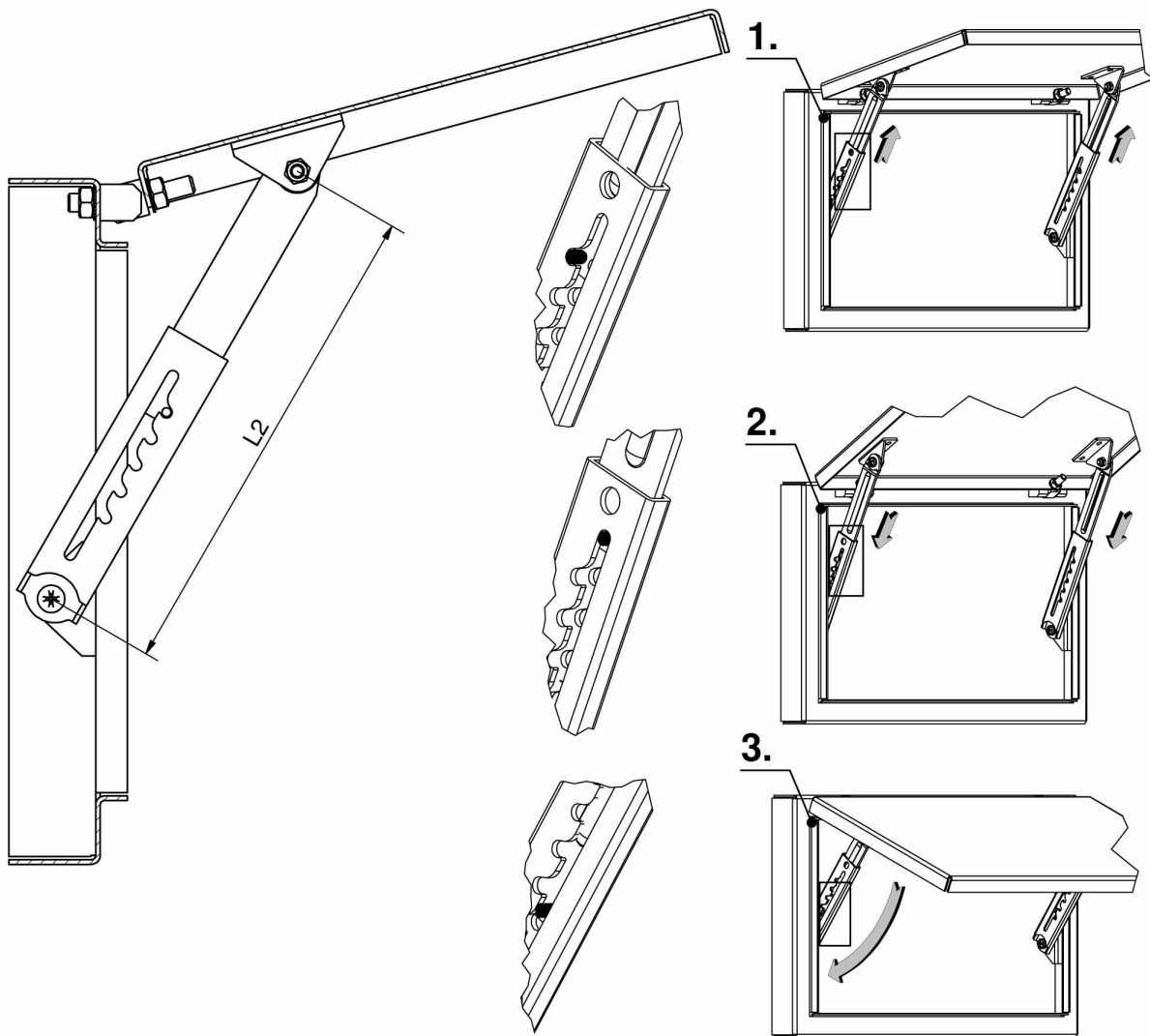
2 spacers for M6 screws are included.



Telescopic Cover Support

Product number	Length L1 retracted	1st stop	2nd stop	3rd stop	4th stop	5th stop	6th stop	7th stop	8th stop	9th stop	10th stop	Length L3 extended	Quantity of stops	Delivery Unit
a) 230-9308.00-00000	140±2	164 mm	177 mm	189,5 mm	202 mm	214,5 mm	-	-	-	-	-	230±2	5	1 pc.
a) 230-9309.00-00000	214±2	234,5 mm	248 mm	261 mm	274,5 mm	288 mm	301 mm	314.5 mm	327 mm	340.5 mm	354 mm	374±2	10	1 pc.





Telescopic cover support 230-9309.00-00000

Telescopic cover support 230-9308.00-00000

Stop	Length L1, retracted (mm / inch)	Length L2, extended, engaged (mm / inch)	Length L3, extended (mm / inch)
1	214 [8.425]	235.5 [9.272]	374 [14.724]
2	214 [8.425]	248.9 [9.799]	374 [14.724]
3	214 [8.425]	262.1 [10.319]	374 [14.724]
4	214 [8.425]	275.4 [10.843]	374 [14.724]
5	214 [8.425]	288.7 [11.366]	374 [14.724]
6	214 [8.425]	302 [11.890]	374 [14.724]
7	214 [8.425]	315.3 [12.413]	374 [14.724]
8	214 [8.425]	328.6 [12.937]	374 [14.724]
9	214 [8.425]	342 [13.465]	374 [14.724]
10	214 [8.425]	355.2 [13.984]	374 [14.724]

Stop	Length L1, retracted (mm / inch)	Length L2, extended, engaged (mm / inch)	Length L3, extended (mm / inch)
1	140.73 [5.541]	163.74 [6.446]	231.6 [9.118]
2	140.73 [5.541]	177.03 [6.970]	231.6 [9.118]
3	140.73 [5.541]	189.32 [7.454]	231.6 [9.118]
4	140.73 [5.541]	201.6 [7.937]	231.6 [9.118]
5	140.73 [5.541]	213.95 [8.423]	231.6 [9.118]

- 1. Engaged position
- 2. For closing push into end position
- 3. lock