

Telescopic Cover Support Stainless Steel

7-300



Advantages

- For doors and lids.
- For wide lids with 2 cover stays you can release the 2 stops by installing 2 eyelets connected by a steel wire.
- RH / LH application.

Material

- **Telescopic cover support:** AISI 304
- **Washer:** POM

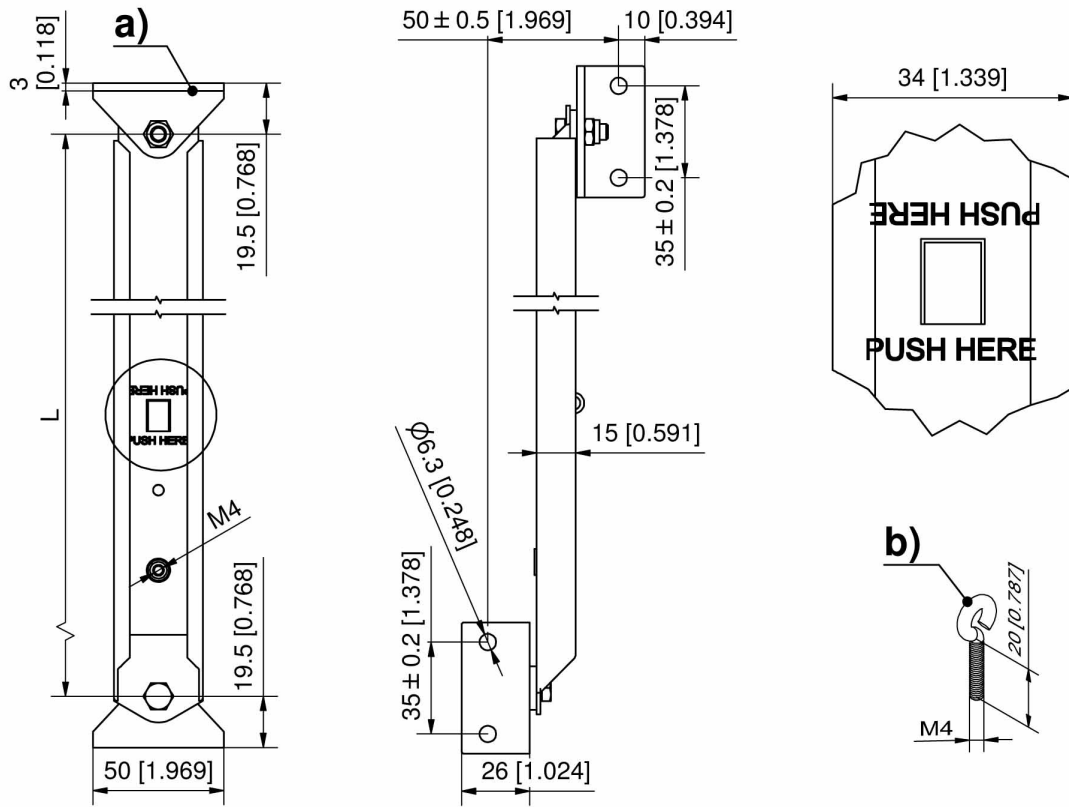
Remarks

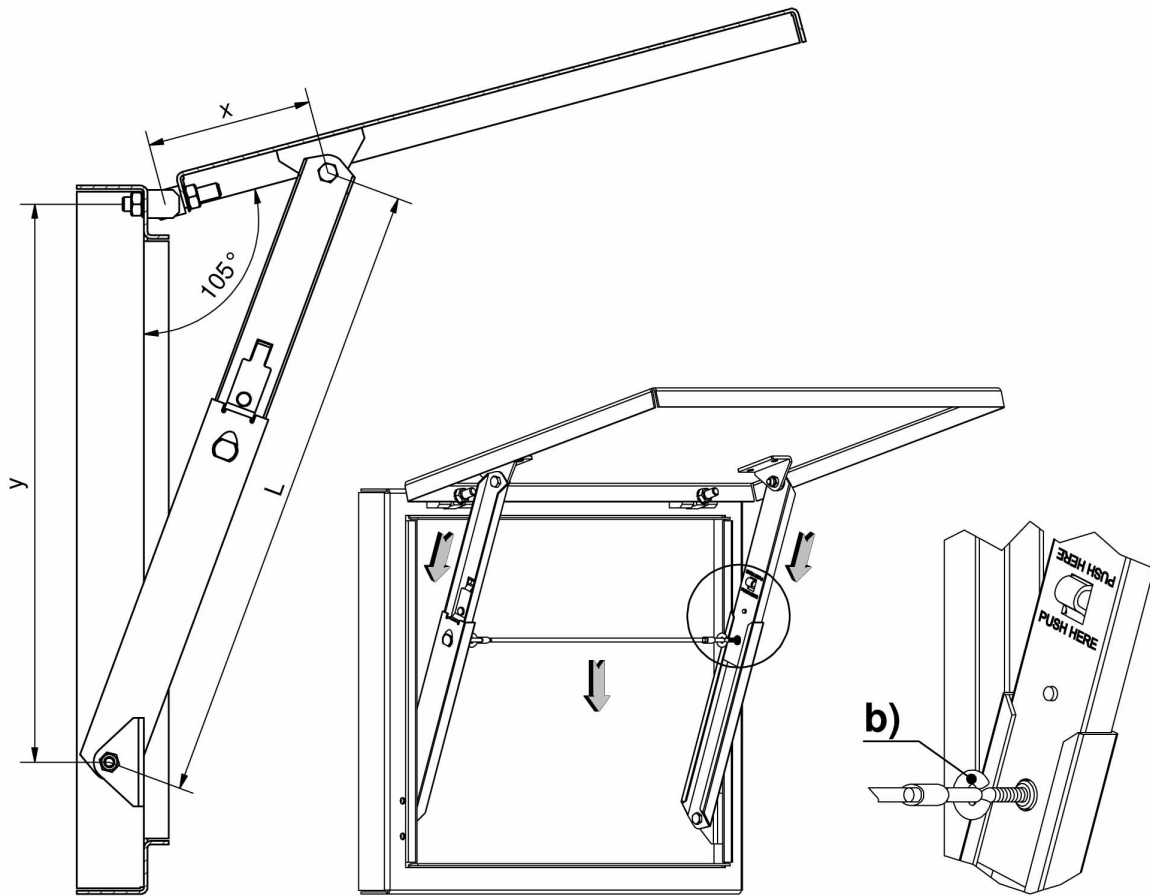
Other length L on request.

Dimensions X and Y determine the opening angle.

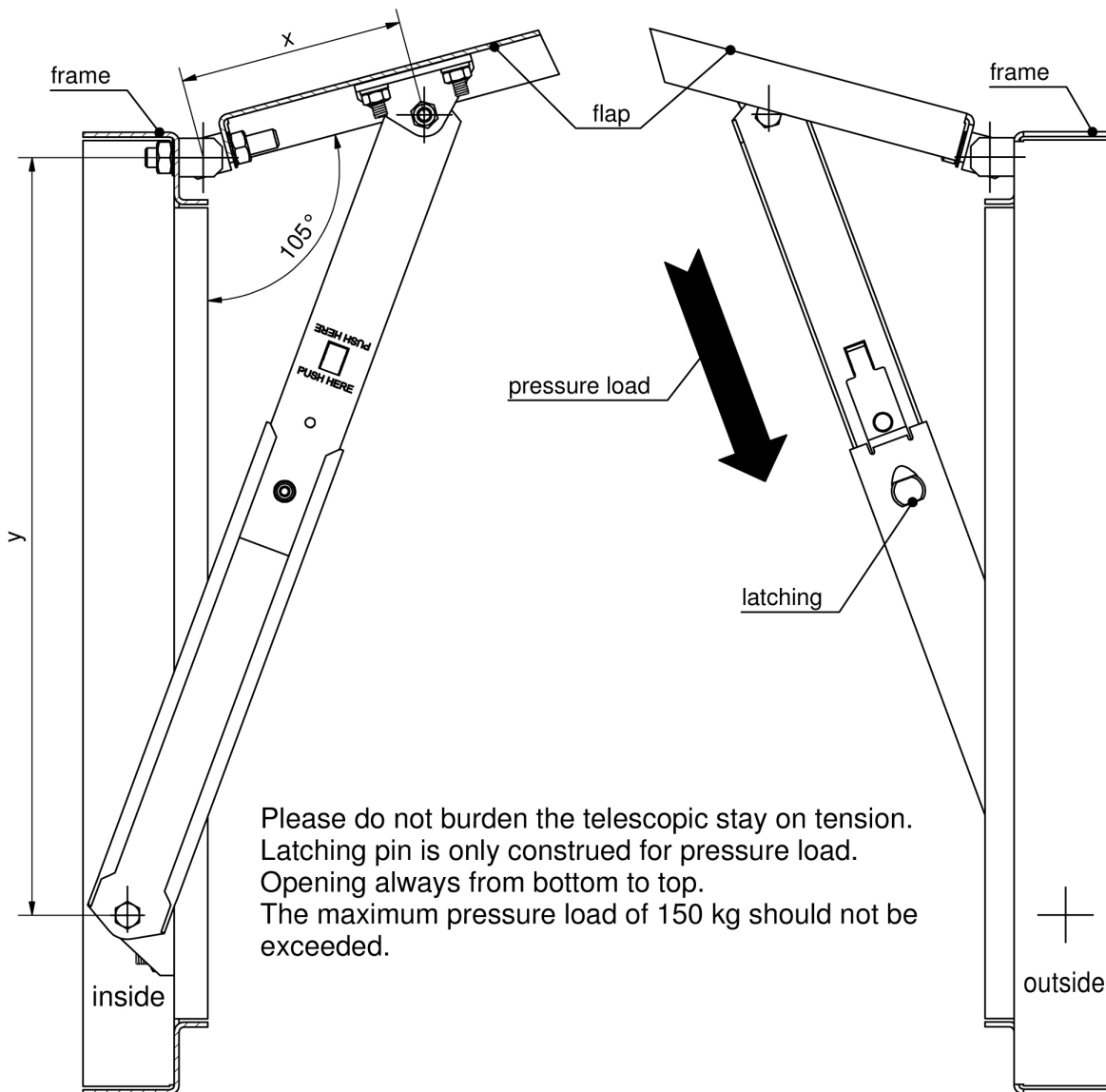
Telescopic Cover Support

	Product number	Length L retracted	Length L extended	Delivery Unit
a)	230-9501.00-00000	370±2	710±2	5 pcs.
a)	230-9502.00-00000	215±2	355±2	5 pcs.





Telescopic Cover Support 230-9501.00-00000				
Opening Angle	Length L, retracted	Length L, extended	approx. Dimension y	approx. Dimension x
90°	370 [14.567]	710 [27.953]	660 [25.984]	240 [9.449]
105°	370 [14.567]	710 [27.953]	615 [24.213]	220 [8.661]
120°	370 [14.567]	710 [27.953]	585 [23.031]	200 [7.874]
135°	370 [14.567]	710 [27.953]	567 [22.323]	180 [7.087]
Telescopic Cover Support 230-9502.00-00000				
Opening Angle	Length L, retracted	Length L, extended	approx. Dimension y	approx. Dimension x
90°	215 [8.465]	355 [13.976]	332 [13.071]	105 [4.134]
105°	215 [8.465]	355 [13.976]	315 [12.402]	93 [3.661]
120°	215 [8.465]	355 [13.976]	302 [11.890]	83 [3.268]
135°	215 [8.465]	355 [13.976]	297 [11.693]	71 [2.795]
<ul style="list-style-type: none"> •The stated dimensions are only valid in the shown assembly situation (Hinge 7-120). •Changing the assembly situation makes own tests necessary. •Opening angle can be varied by changing dimensions y and x. •When using two cover stays ring bolts (b) can be screwed on the inside of both locks. After connecting them with a steel wire both cover stays can be unlocked simultaneous. 				



Please do not burden the telescopic stay on tension.
 Latching pin is only construed for pressure load.
 Opening always from bottom to top.
 The maximum pressure load of 150 kg should not be exceeded.

