

MLA Door Contact

MLA 1-103



Advantages

- Locking status can be evaluated.
- Security optimization.
- Vibration-proof according to DIN EN 61373.
- Tool-less installation.
- Matching cams as of 35 mm, product system 1-102 and 7-105.
- No abrasion of the metal and therefore safety concerning electronic built-in components.
- Good gliding properties, therefore low friction coefficient.
- The assembly will be carried out with the already installed quarter-turn, it is possible to retrofit at any time.
- The sliding ramp is attached to the frame by a prefabricated adhesive foil. (8.)

Material

- **Slide shoe, sliding ramp:** POM, natural
- **Adhesive strip:** PET

Remarks

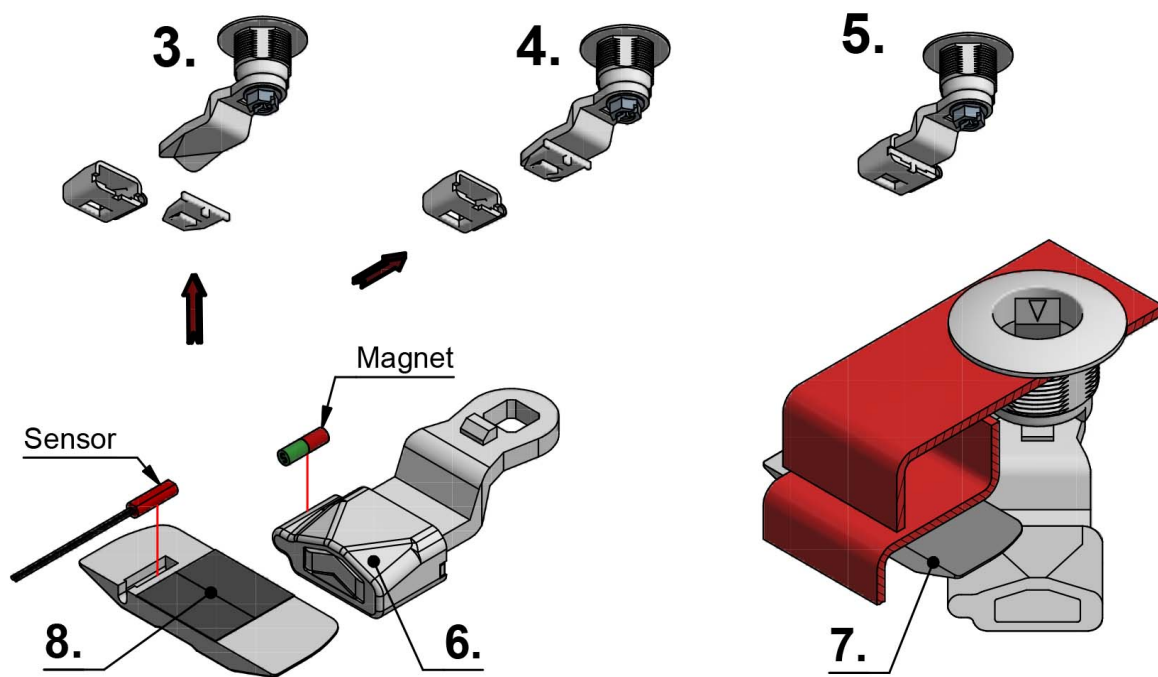
The slide shoe **cannot** be used with the following cams: 200-0606, 200-0608, 200-0610, 200-0613, 200-0614, 200-0402, 200-0404, 200-0406, 200-0408, 200-0410, 200-0506, 200-0508 and 200-0510 and **not** for 3-point cams of product system 2-150, 1-102 and 7-105.

1. sliding ramp
2. slide shoe
3. place latch under the cam
4. slide housing onto the cam and the latch
5. latch must lock audibly into the window
6. ramp 3mm
7. attach sliding ramp to frame

Note: the H-dimension diminishes by 6mm.

Door contact

Product number	Delivery Unit
200-9641.00-00000	1 pc.



Functionality/Activation

The additional installation of the MLA door contact increases security by evaluating the locking status of the door.

Open/Close status

Handle status can be evaluated via integrated potential-free reed sensor

- Contact form: Normally open contact (when the handle is closed, the contact is closed)
- Switching voltage: max. 30V DC
- Transport current, switching current: max. 0.5A
- Sensor resistance: 360 mohm

Connection line

- Length: 200 mm
- 2 single wires with each \varnothing 0.8 mm; cross section 0.07 mm²

Liability clause for sales products

The above information and our technical application advice, whether verbal, in writing or by means of tests, are given to the best of our knowledge. However, this information shall be regarded as non-binding only, also with regard to any third-party property rights.

This information does not exempt you from conducting your own review of our current advisory suggestions. This applies in particular to the technical information on our products in terms of their suitability for use and application.

The application, use and processing of our products and the products manufactured by you on the basis of our technical application advice are beyond our control and are therefore exclusively your responsibility.

The sale of our products is subject to our current general terms and conditions of sale and delivery.

