

Swinghandle mechatronic RS/FS PrC

MLR1000



Advantages

- Opening readiness can be activated via potential-free contact or by direct voltage supply.
- Handle status can be evaluated.
- Status display via LED directly on the handle.
- Illuminated information field - color configurable.
- IP40 according to DIN EN 60529.
- Emergency opening possible with battery pack. (3.)



Material

Handle: zinc die

Dish: ABS, black

Check box: PA, black

Remarks

(S) Door-thickness 1.5 - 2mm

1. info field
2. LED
3. button

Further technical details please see data sheet

Swinghandle MLR1000

	Product number	Application	Installation type	Delivery Unit
b)	610-9501.07-07101	Rod latch	screw-on	1 pc.
c)	610-9507.07-07101	Offset	screw-on	1 pc.
a)	610-9539.07-07101	3-point cam	screw-on	1 pc.



**Attention: Risk of crushing and abrasion when pressing shut the swinghandle.
Be careful not to injure yourself when closing the handle.**

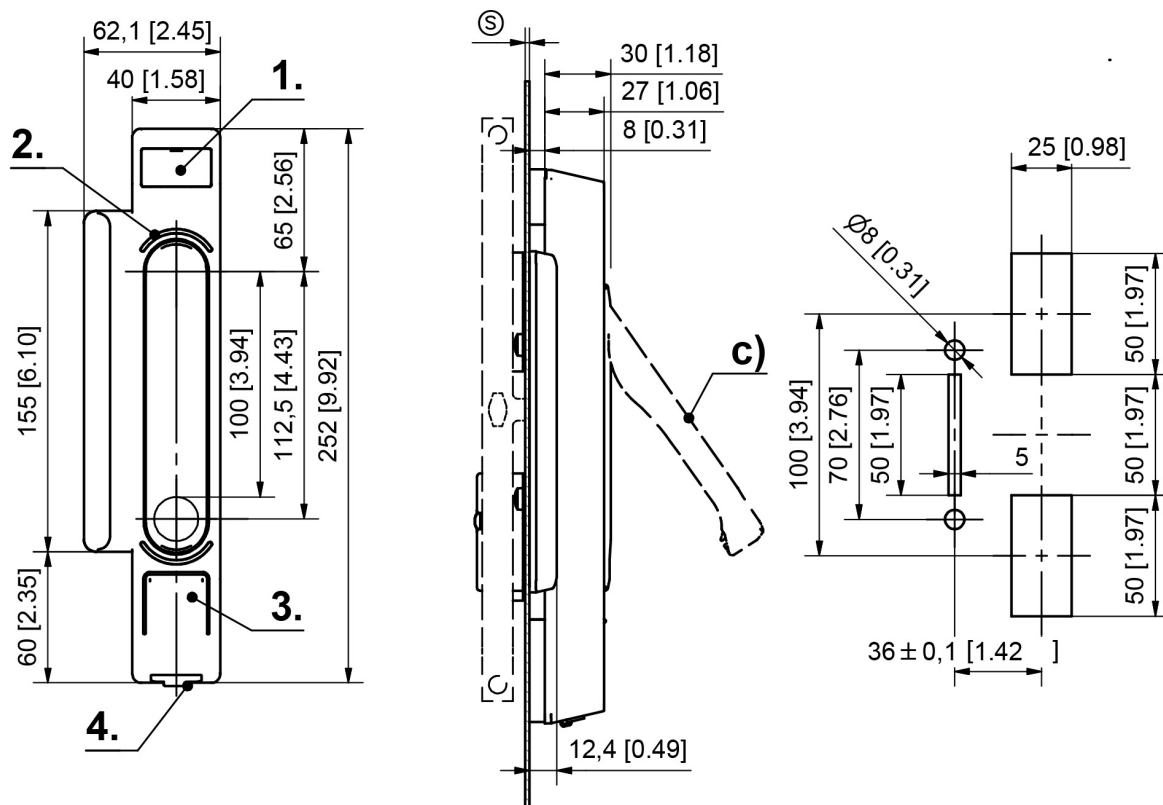
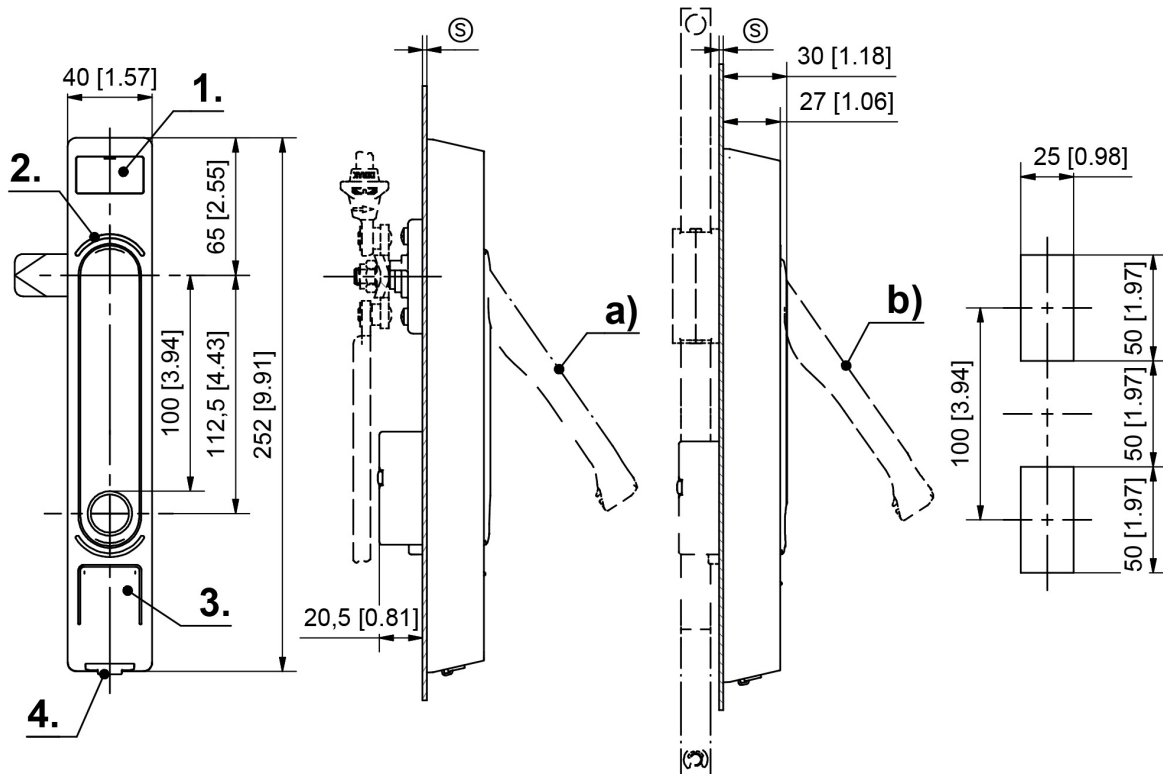
Liability clause for sales products

The above information and our technical application advice, whether verbal, in writing or by means of tests, are given to the best of our knowledge. However, this information shall be regarded as non-binding only, also with regard to any third-party property rights.

This information does not exempt you from conducting your own review of our current advisory suggestions. This applies in particular to the technical information on our products in terms of their suitability for use and application.

The application, use and processing of our products and the products manufactured by you on the basis of our technical application advice are beyond our control and are therefore exclusively your responsibility.

The sale of our products is subject to our current general terms and conditions of sale and delivery.



Functionality/Activation

The ready to open state is activated via potential-free contact or by direct voltage supply. Unlocking of the handle by integrated pushbutton on the handle when ready to open is active. The ready to open state is visualized by an LED. Handle status (open/closed) can be evaluated.

Open/Close status

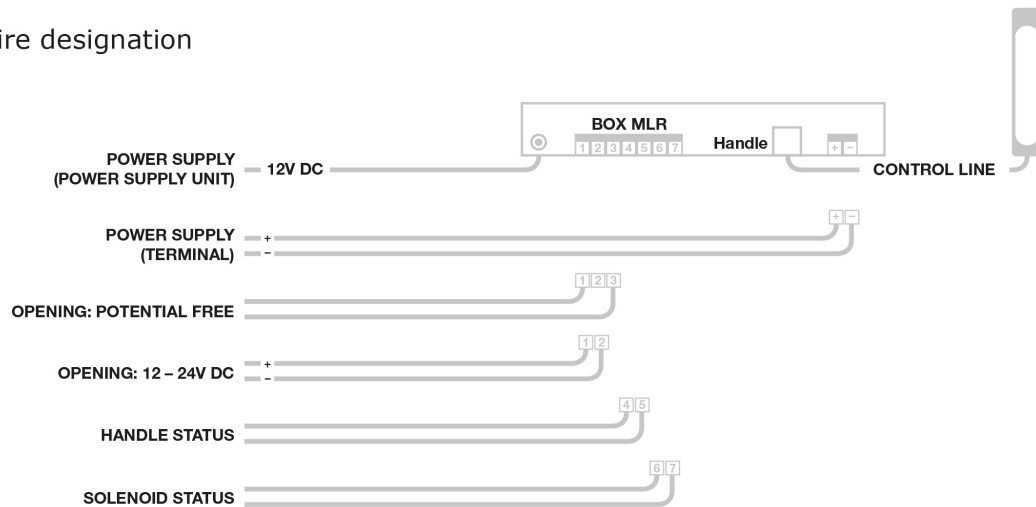
Handle position can be evaluated via potential-free relay contact

- Contact form: Normally open/ normally closed, adjustable via jumper
- Switching voltage: max. 30V DC
- Transport current, switching current: max. 0.5A

Technical data

- Power supply (DC): 12V/24V
- Quiescent current: 100mA/80mA
- Working current: 400mA/300mA
- Temperature range: 20°C to 70°C
- Wall/sheet thickness: up to 1.5 to 2mm
- Features: IP40 according to DIN EN 60529
- ROHS, REACH
- Ready to open state can be activated via potential-free contact or by applying voltage
- Illuminated information field – color configurable
- Visual status display via LEDs directly on the handle (ready to open/open/closed)
- Emergency opening possible with battery pack

Wire designation



Connection line

- 8-pin, 350cm, UL stranded wire AWG 26, molded on RJ45 connector on one side, with crimped JST-ZH connector ZHR-8 on one side