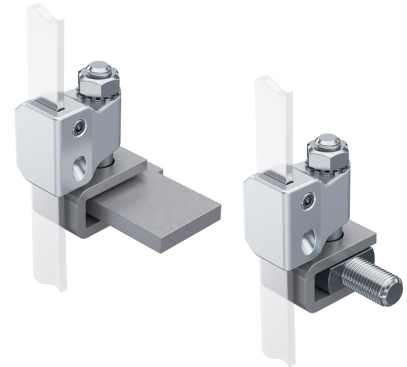


Pressure-Tight Fitting for 24mm Stroke FS

1-451



Advantages

- Fitting for pressure-tight doors.
- Positive-locking between fitting and flat rod 14x3mm.
- For high and medium voltage distribution boards.
- Suitable with standard rod latches.

Material

- **Connector:** zinc die, untreated
- **Set screws, locking pin, serrated lock washer and hexagon nut:** steel, zinc plated
- **U-bracket:** steel, untreated

Remarks

U-bracket weld-on included with delivery

Pressure-tight fitting

	Product number	Installation type	Delivery Unit
a)	215-9201.00-00000	screw-on	1 pc.

Frame-part eye

	Product number	Thread size	Installation type	Delivery Unit
b)	215-0213.00-00000		weld-on	1 pc.
c)	215-0406.00-00000	M10	screw-on	1 pc.

