

Cam for Rod Latch

3-163.01

RoHS
WEEE

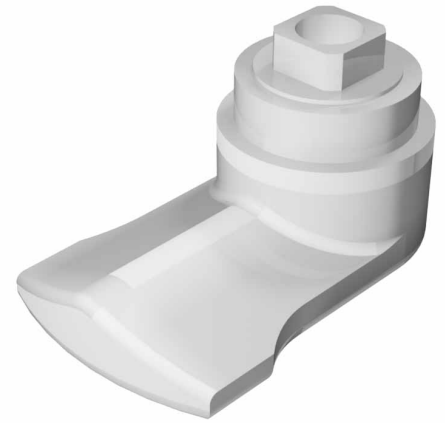
Advantages

Cams with screw M6x16 for rod latch systems.

Material

- **Cam:** zinc die, untreated

Remarks



Cams

	Product number	A	L	Delivery Unit
e)	208-9404.00-00000	18 mm	40 mm	1 pc.
e)	208-9402.00-00000	20 mm	40 mm	1 pc.
e)	208-9401.00-00000	25 mm	30 mm	1 pc.
e)	208-9408.00-00000	30 mm	30 mm	1 pc.

