

E-LINE Swinghandle mechatronic RS/FS PrC

MLR5000/MLR5000KP



Advantages

- Opening readiness can be activated via RFID card, PIN code, Administration Suite software.
- Status display via LED for handle and temperature status.
- Controlled access, seamlessly documented.
- Illuminated info field with configurable backlighting (MLR5000).
- Keypad for two-factor authentication.
- Ethernet TCP/IP (MLR5000 KP).
- Power over Ethernet (PoE) possible.
- IP40 according to DIN EN 60529.
- 2000 memory locations for authorized RFID cards / PINs.
- Complete control via Administration Suite software with many other functions.
- Emergency opening possible with battery pack.

Material

- **Handle:** zinc die
- **Dish:** ABS, black
- **Control box:** PA, black

Remarks

(S) Door-thickness 1.5 - 2 mm

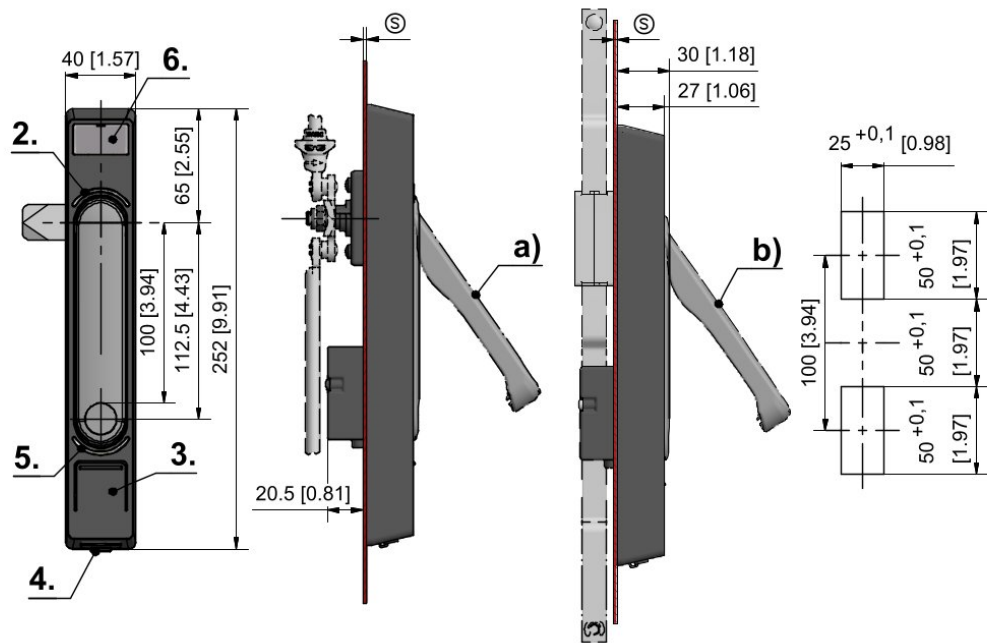
1. keypad
2. LED handle status
3. button
4. emergency power supply interface
5. LED temperature status
6. info field

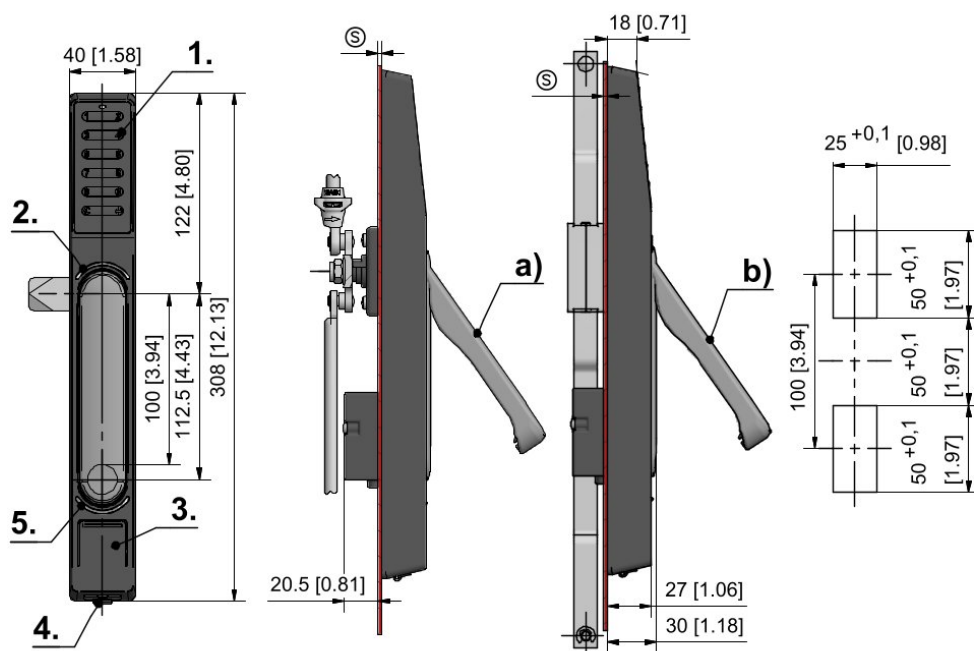
Please contact us regarding the necessary accessory components for your project.

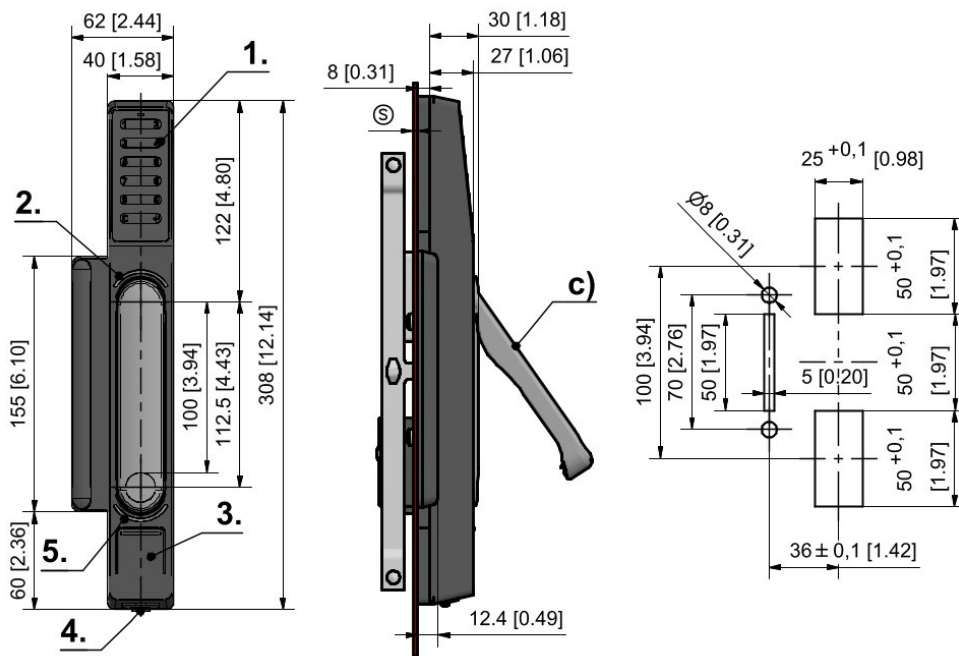
Further technical details please see data sheet.

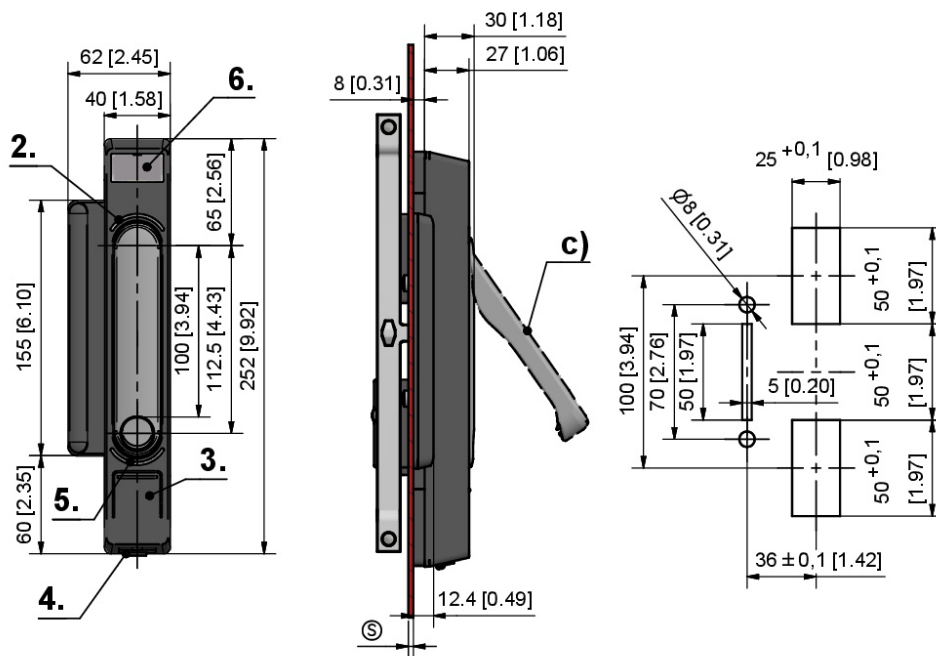
E-LINE Swinghandle mechatronic RS/FS PrC

	Product number	Application	Frequency	Key-Pad	Installation type	Delivery Unit
a)	610-9639.00-00000	3-point cam	125kHz		screw-on	1 pc.
a)	610-9639.00-11356	3-point cam	13,56MHz		screw-on	1 pc.
b)	610-9601.00-00000	Rod latch	125kHz		screw-on	1 pc.
b)	610-9601.00-11356	Rod latch	13,56MHz		screw-on	1 pc.
c)	610-9607.00-00000	Offset	125kHz		screw-on	1 pc.
c)	610-9607.00-11356	Offset	13,56MHz		screw-on	1 pc.
a)	[610-9439.00-00000	3-point cam	125kHz	yes	screw-on	1 pc.
a)	610-9439.00-00001	3-point cam	13,56MHz	yes	screw-on	1 pc.
b)	610-9401.00-00000	Rod latch	125kHz	yes	screw-on	1 pc.
b)	610-9401.00-00001	Rod latch	13,56MHz	yes	screw-on	1 pc.
c)	610-9407.00-00000	Offset	125kHz	yes	screw-on	1 pc.
c)	610-9407.00-00001	Offset	13,56MHz	yes	screw-on	1 pc.









Functionality/Activation

Complete control via Administration Suite software. Activation of readiness to open via Administration Suite software, directly on the handle via RFID card or PIN. Different operating modes online/offline possible. The ready to open state is visualized by an LED.

Open/Close status

Locking position of the handle is automatically sent to the Administration Suite software and visualized. Interface for optional door contact. The status of the door contact is automatically sent to the Administration Suite software and visualized.

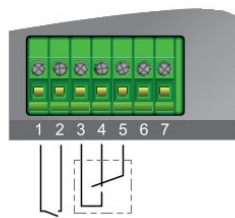
Technical data

- Power supply (DC): 12V +- 10%
- Quiescent current: 40mA
- Working current (max): 440mA
- Temperature range: 10°C to 60°C
- Wall/sheet thickness up to 1.5 to 2mm
- Tightening torque of the screws (top) with 1.0 – 1.2Nm
- Tightening torque of the screws (bottom) with 0.8Nm
- Features: IP40 in accordance with DIN EN 60529
- ROHS, REACH
- Storage capacity for 2000 cards/PINs
- Memory for 500 events and 30 time profiles
- Different versions: 125kHz or 13.56MHz antenna
- RS232 interface: RS232 line (RXD, TXD, GND, reader present, PC present), 38400 baud
- TCP/IP interface: Ethernet, 10/100 Mbit autosense, up to max. 100 Mbit, PoE IEEE 802.3af
- Door contact input: 2.5mm², screwable from plug-in side, terminals 1 and 2
- Relay output: 2.5mm², screwable from plug-in side, terminal 3 – 5
 - Switching voltage: max. 30V DC
 - Switching current: max. 1A
- Control cable reader – handle: 8-pin, 350cm, UL stranded wire AWG 26, with molded RJ45 plug on one side, with crimped JST-ZH connector ZHR-8 on the other side

Connection



- 1. GND
- 2. digital input (door contact)
- 3. normally open contact of the relay
- 4. normally closed contact of the relay
- 5. common contact of the relay
- 6. not used
- 7. not used



LED Status



LED Status



Attention: Risk of crushing and abrasion when pressing shut the swinghandle. Be careful not to injure yourself when closing the handle.

Liability clause for sales products

The above information and our technical application advice, whether verbal, in writing or by means of tests, are given to the best of our knowledge. However, this information shall be regarded as non-binding only, also with regard to any third-party property rights.

This information does not exempt you from conducting your own review of our current advisory suggestions. This applies in particular to the technical information on our products in terms of their suitability for use and application.

The application, use and processing of our products and the products manufactured by you on the basis of our technical application advice are beyond our control and are therefore exclusively your responsibility.

The sale of our products is subject to our current general terms and conditions of sale and delivery.